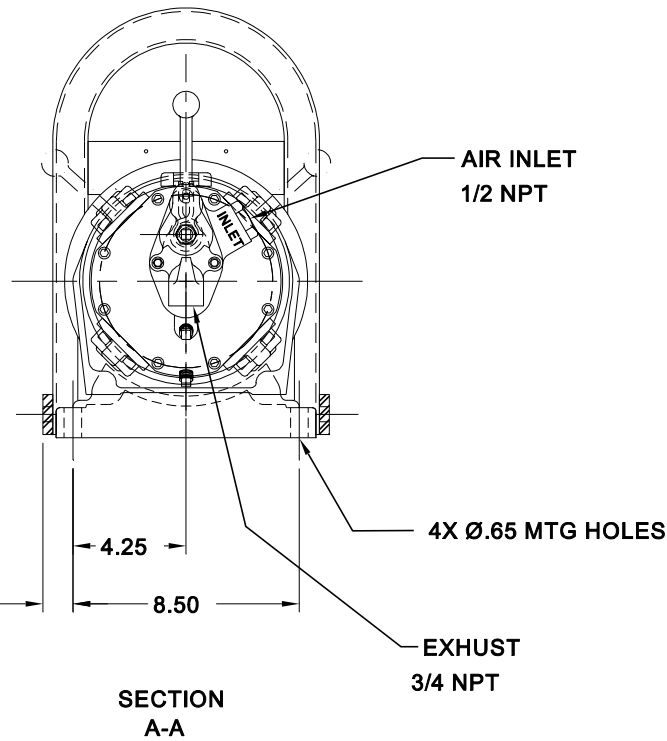
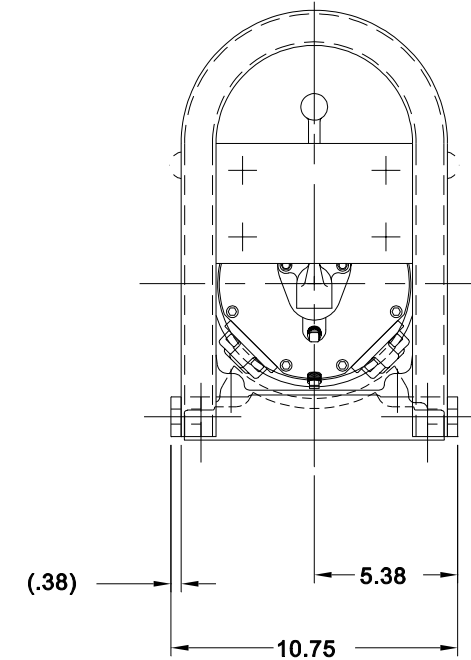
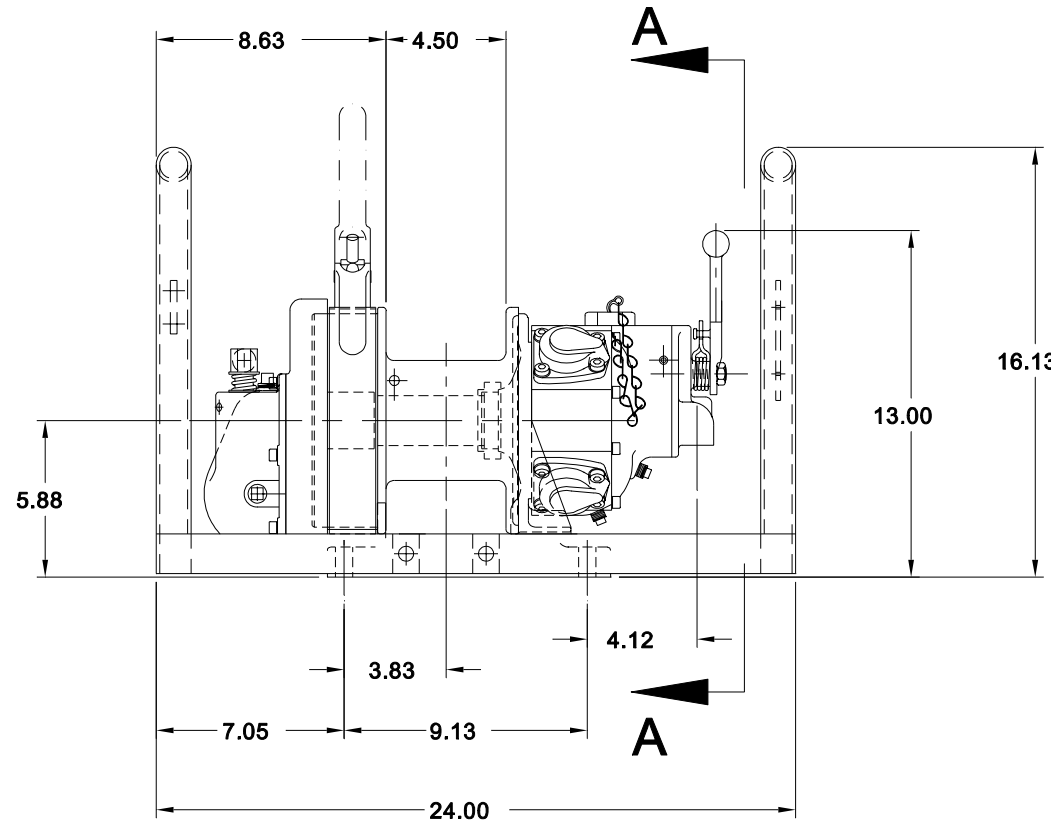
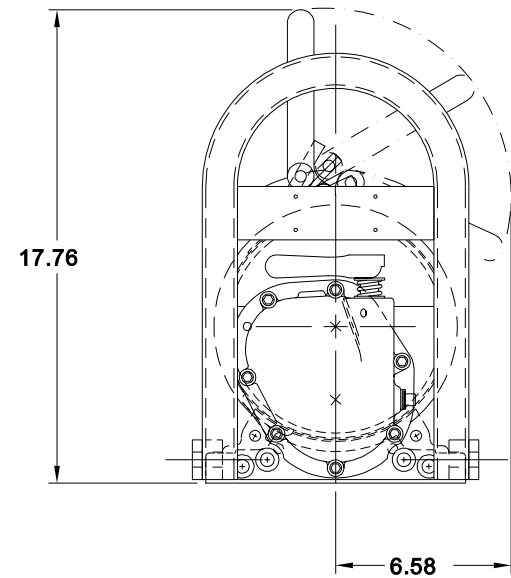


REVISIONS				
ZONE	LTR	DESCRIPTION	DATE	APPROVED
-	-	INITIAL RELEASE PER SE005135		



ITEM	QTY	SIZE	PART NO	DESCRIPTION
<small>THIS DOCUMENT CONTAINS CONFIDENTIAL AND TRADE SECRET INFORMATION IN THE PROPERTY OF INGERSOLL-RAND COMPANY, AND IS LOANED TO THE RECIPIENT IN CONFIDENCE. THE RECIPIENT BY ACCEPTANCE AND RETENTION OF THIS DOCUMENT ACCEPTS THE DOCUMENT IN CONFIDENCE AND AGREES THAT, EXCEPT AS AUTHORIZED IN WRITING BY INGERSOLL-RAND COMPANY, IT WILL NOT USE THE DOCUMENT OR ANY COPY THEREOF OR THE CONFIDENTIAL OR TRADE SECRET INFORMATION THEREIN (2) NOT COPY THE DOCUMENT, (3) NOT DISCLOSE TO OTHERS EITHER THE DOCUMENT OR THE CONFIDENTIAL OR TRADE SECRET INFORMATION THEREIN, AND (4) UPON COMPLETION OF THE NEED TO RETAIN THE DOCUMENT, OR UPON DEMAND, RETURN THE DOCUMENT, ALL COPIES THEREOF, AND ALL MATERIAL COPIED THEREFROM.</small>				
<small>UNLESS OTHERWISE SPECIFIED TOLERANCES ON DIMENSIONS ARE DECIMALS:            2 PLACES: .001 ± .02            3 PLACES: .000 ± .005            ANGLES: ± 0.5°            BREAK EDGES: .010            SURF: 125 ✓</small>				
<small>THIRD ANGLE PROJECTION</small> <small>DRAWN DATE</small> <small>L. LANGEL 11/18/04</small> <small>CHECKED</small>		<small>WARNING: The export or reexport of this drawing or a product produced by this drawing is subject to U. S. Export Administration Regulations and other applicable governmental restrictions or regulations.</small> <small>Copyright 20__ 04 Ingersoll-Rand Company All Rights Reserved</small> <small>Ingersoll-Rand Company Tool &amp; Hoist Division Seattle, WA, U.S.A.</small>		
<small>APPROVED</small> <small>AEW 11/20/04</small>		<small>TITLE</small> <b>DIMENSIONAL DRAWING</b> <b>BUTAE</b>		
<small>ENG APPV</small> <small>12/01 2004</small>		<small>SIZE</small> <b>C</b>	<small>PART NO.</small> <b>382-31116</b>	<small>DWG NO.</small> <b>382-31116</b>
<small>SCALE:</small> <b>1:5</b>		<small>REV</small> <b>-</b>		
<small>SHEET</small> <b>1</b>				<small>OF</small> <b>1</b>

DWG NO. 382-31116 SH. 1