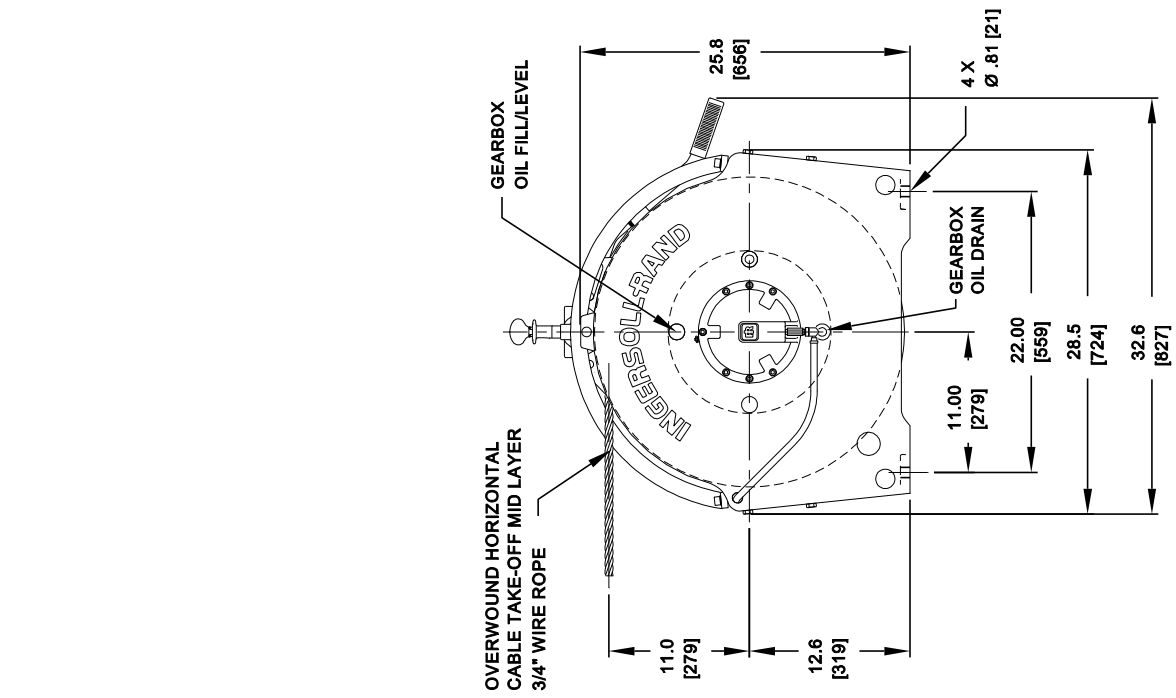
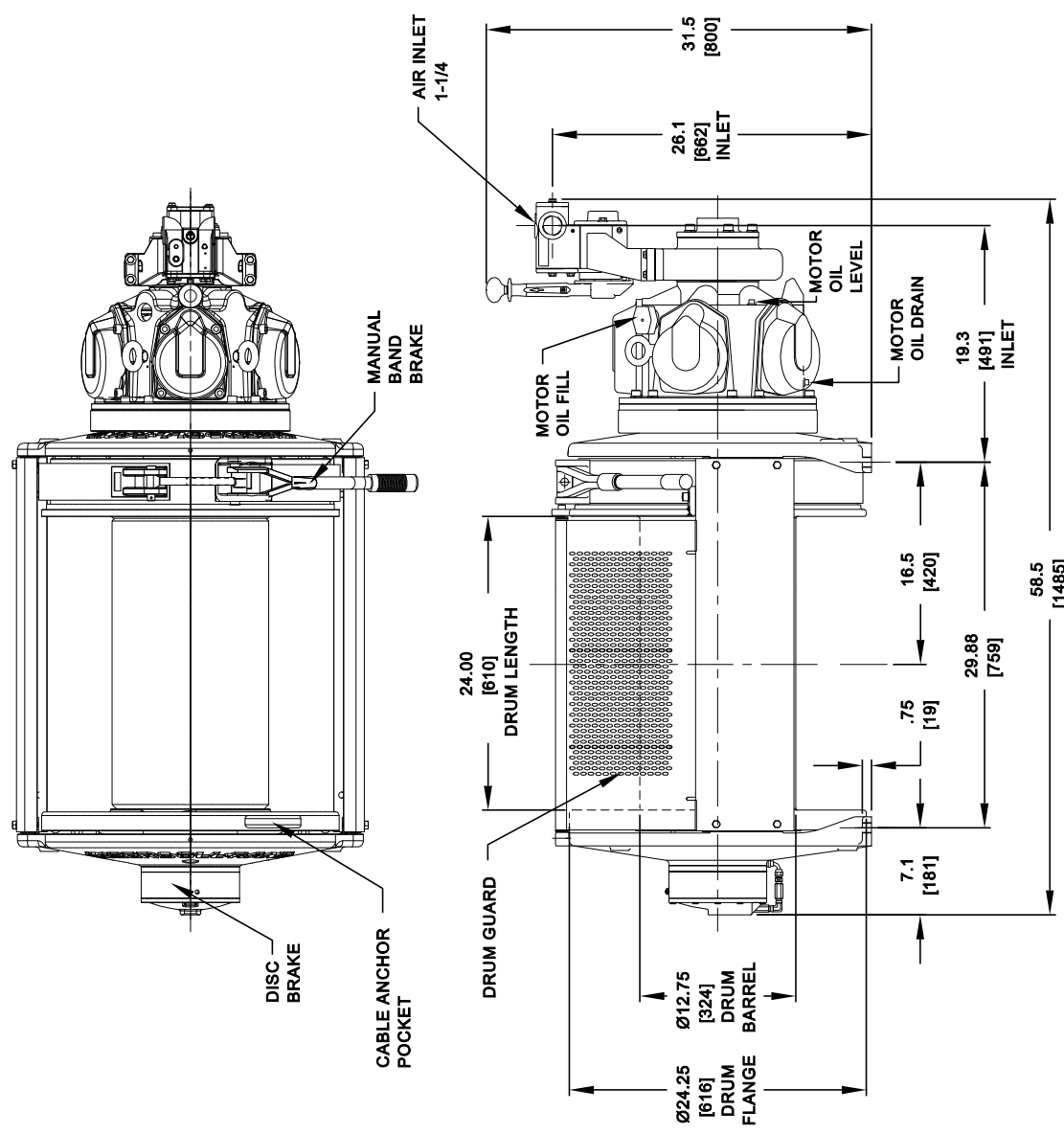


ZONE	LTR	DESCRIPTION	DATE	APPROVED
C		GREAT WINDCHILL VIEWABLE PER ECH 84455	12/8/14	SDG



NOTES:

1. DIMENSIONS SHOWN ARE IN INCHES
DIMENSIONS IN BRACKETS [] ARE mm.
2. DRUM GUARD REMOVED FROM TOP VIEW FOR CLARITY.

PERFORMANCE SPECIFICATIONS:

- RATE LINE PULL - 10000 lbs [4500 kg] ± MID LAYER
- RATE LINE SPEED - 50 fpm [15 m/min] ± MID LAYER
- INLET PRESSURE - 90 psi [6.3 bar] RUNNING
- AVERAGE AIR CONSUMPTION - 700 scfm [19.9 m3/min]

ITEM	QTY	SIZE	PART NO	DESCRIPTION
<p>WARNING: The support or receipt of this drawing or a product produced by this drawing is subject to U. S. Export Administration Regulations and other applicable governmental restrictions or regulations.</p> <p>Copyright © 2014 Ingersoll-Rand Company All Rights Reserved</p>				
<p>INGERSOLL-RAND COMPANY Tool & Hoist Division Seattle, WA, U.S.A.</p>				
<p>WINCH, AIR OUTLINE/DIMENSIONAL FASA-24MK1GJ</p>				
<p>DATE: 12/8/14 PART NO: 382-37926 REV: C</p>				
<p>SCALE: 1:8 SHEET: 1 OF 1</p>				

1

2

3

4

1

2

3

4