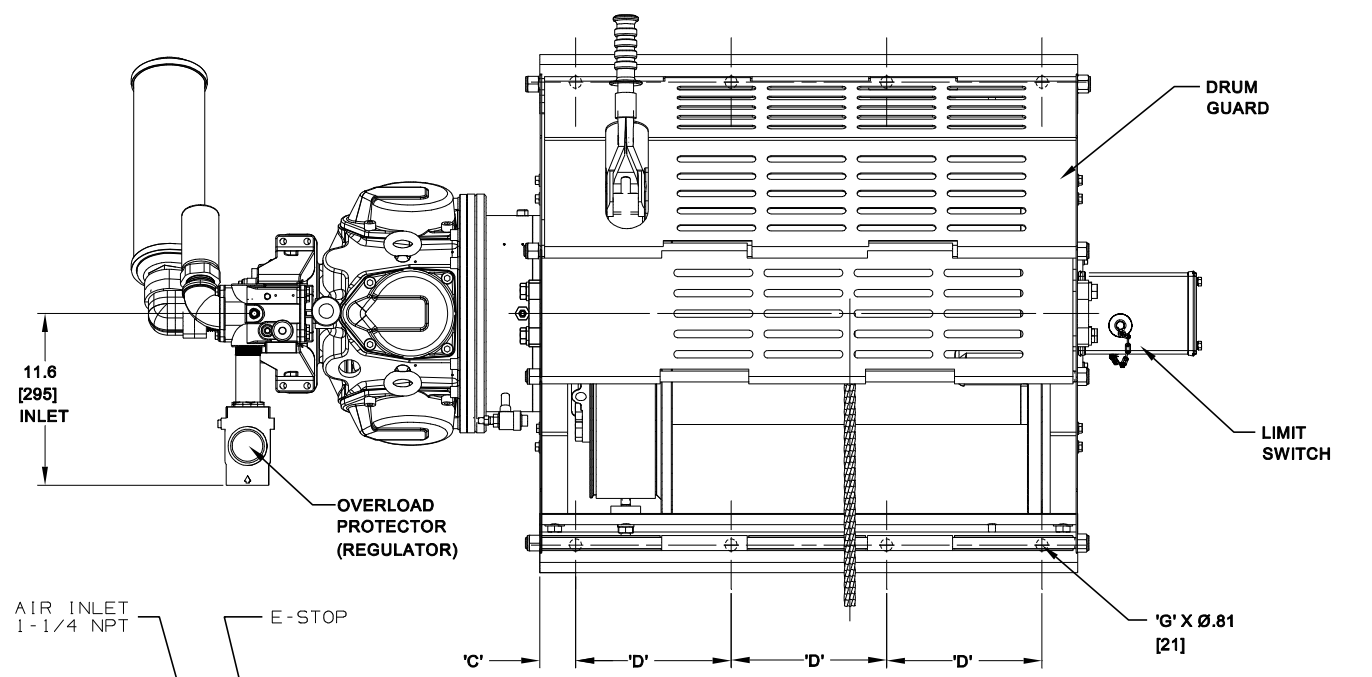


REVISIONS				
ZONE	LTR	DESCRIPTION	DATE	APPROVED
-	-	INITIAL RELEASE PER SE008384		

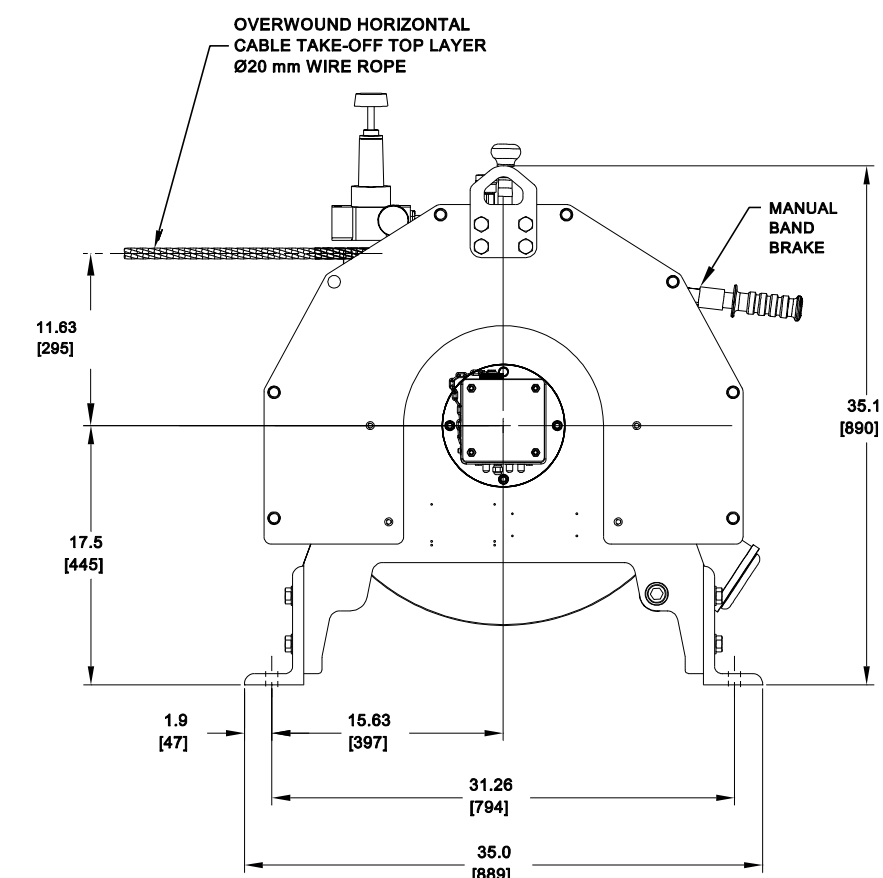
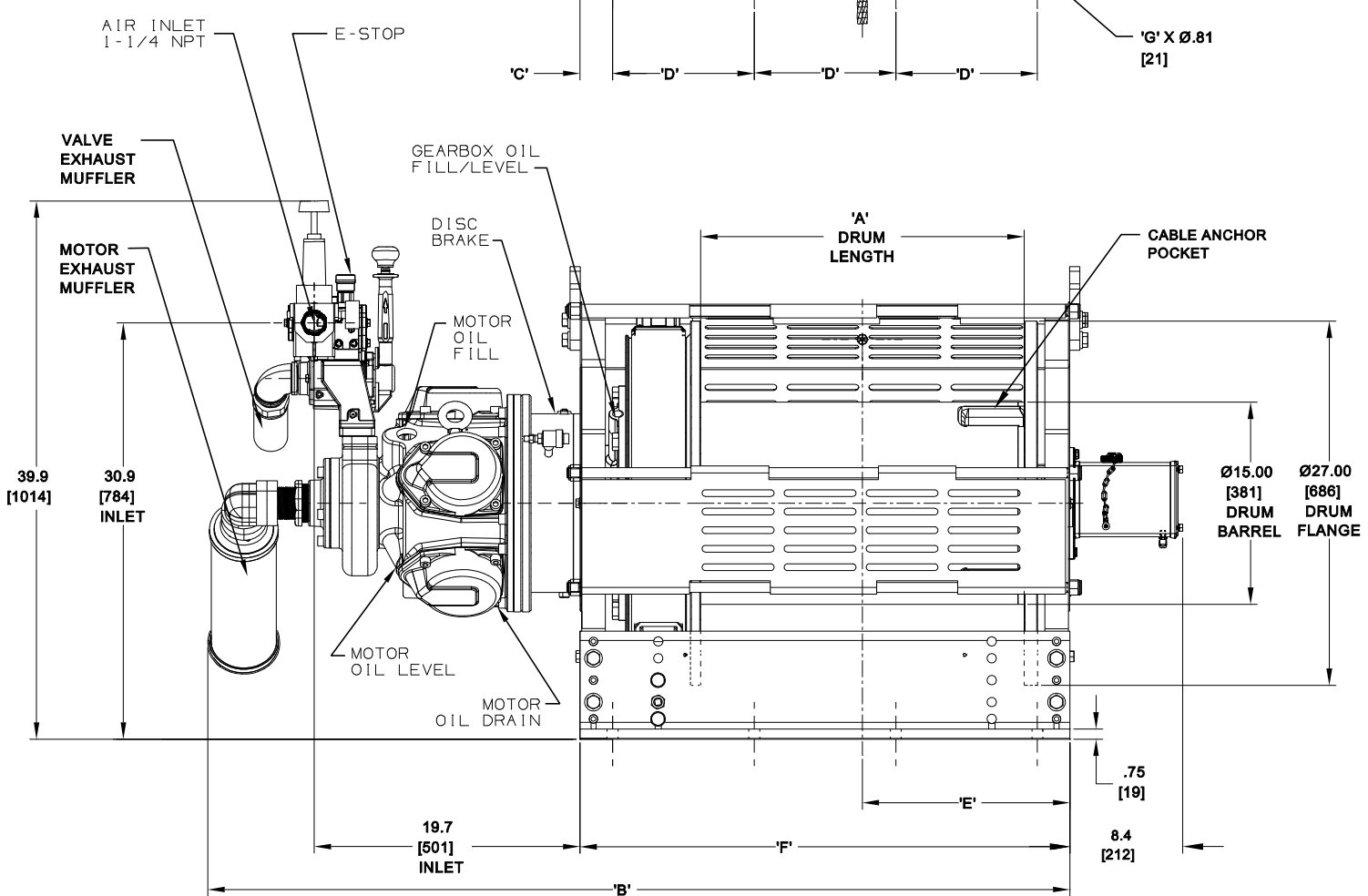


NOTE:

1. DIMENSIONS SHOWN ARE IN INCHES
DIMENSIONS IN BRACKETS [] ARE mm.

PERFORMANCE SPECIFICATIONS:

RATED LINE PULL MAN-RIDER - 6887 lbs [3124 kg] ± TOP LAYER
 RATED LINE SPEED MAN-RIDER - 72 fpm [22 m/min] ± TOP LAYER
 RATED LINE PULL UTILITY - 11000 lbs [5000 kg] ± TOP LAYER
 RATED LINE SPEED UTILITY - 52 fpm [16 m/min] ± TOP LAYER
 INLET PRESSURE - 80 psi [5.5 bar] RUNNING
 AVG AIR CONSUMPTION - 700 scfm [19.9 m3/min]



MODEL	DIM 'A'	DIM 'B'	DIM 'C'	DIM 'D'	DIM 'E'	DIM 'F'	QTY 'G'
FA5i-12MRMK1-CE	12.00 [305]	51.9 [1318]	.92 [23]	7.50 [191]	9.4 [239]	24.34 [618]	8
FA5i-16MRMK1-CE	16.00 [406]	55.9 [1420]	.67 [17]	9.00 [229]	11.4 [290]	28.34 [720]	8
FA5i-20MRMK1-CE	20.00 [508]	59.9 [1521]	1.17 [30]	10.00 [254]	13.4 [340]	32.34 [821]	8
FA5i-24MRMK1-CE	24.00 [610]	63.9 [1623]	2.42 [61]	10.50 [267]	15.4 [391]	36.34 [923]	8
FA5i-30MRMK1-CE	30.00 [762]	69.9 [1775]	1.17 [30]	10.00 [254]	18.4 [467]	42.34 [1075]	8
FA5i-36MRMK1-CE	36.00 [914]	75.9 [1928]	2.17 [55]	11.00 [279]	21.4 [544]	48.34 [1228]	10

ITEM	QTY	SIZE	PART NO	DESCRIPTION
<p>THIS DOCUMENT CONTAINS CONFIDENTIAL AND TRADE SECRET INFORMATION IN THE PROPERTY OF INGERSOLL-RAND COMPANY, AND IS LOANED TO THE RECIPIENT IN CONFIDENCE. THE RECIPIENT BY ACCEPTANCE AND RETENTION OF THIS DOCUMENT ACCEPTS THE DOCUMENT IN CONFIDENCE AND AGREES THAT, EXCEPT AS AUTHORIZED BY WRITING BY INGERSOLL-RAND COMPANY, IT WILL NOT USE THE DOCUMENT OR ANY COPY THEREOF OR THE CONFIDENTIAL OR TRADE SECRET INFORMATION THEREIN (NOT COPY THE DOCUMENT, DO NOT DISCLOSE TO OTHERS WITHIN THE COMPANY OR THE CONFIDENTIAL OR TRADE SECRET INFORMATION THEREIN, AND IS UNDER OBLIGATION OF THE NEED TO RETURN THE DOCUMENT, OR UPON DEMAND, RETURN THE DOCUMENT, ALL COPIES THEREOF, AND ALL MATERIAL DERIVED THEREFROM.</p> <p>WARNING: The export or reexport of this drawing or a product produced by this drawing is subject to U. S. Export Administration Regulations and other applicable governmental restrictions or regulations.</p> <p>Copyright © 2009 Ingersoll-Rand Company All Rights Reserved</p> <p>IR Ingersoll-Rand. Ingersoll-Rand Company Tool & Hoist Division Seattle, WA, U.S.A.</p> <p>TITLE: WINCH, AIR OUTLINE/DIMENSIONAL FA5i-MRMK1-CE</p> <p>SIZE: C PART NO. 382-35185 DWG NO. 382-35185 REV -</p> <p>SCALE: 1:8 SHEET 1 OF 1</p>				

DWG NO. 382-35185 SH. 1