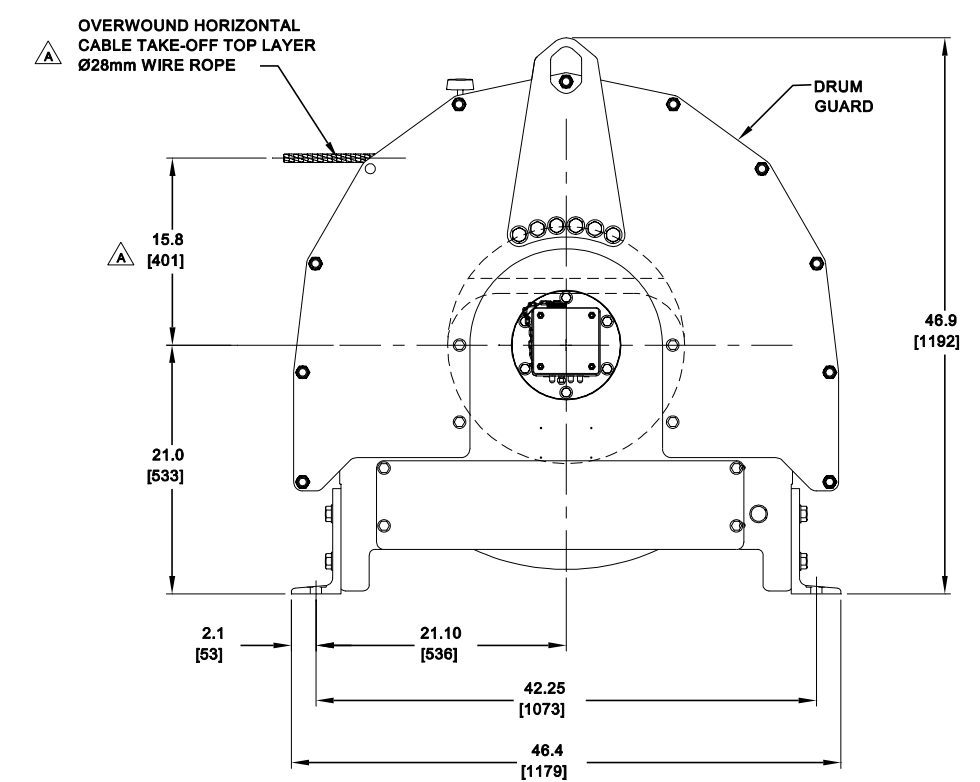
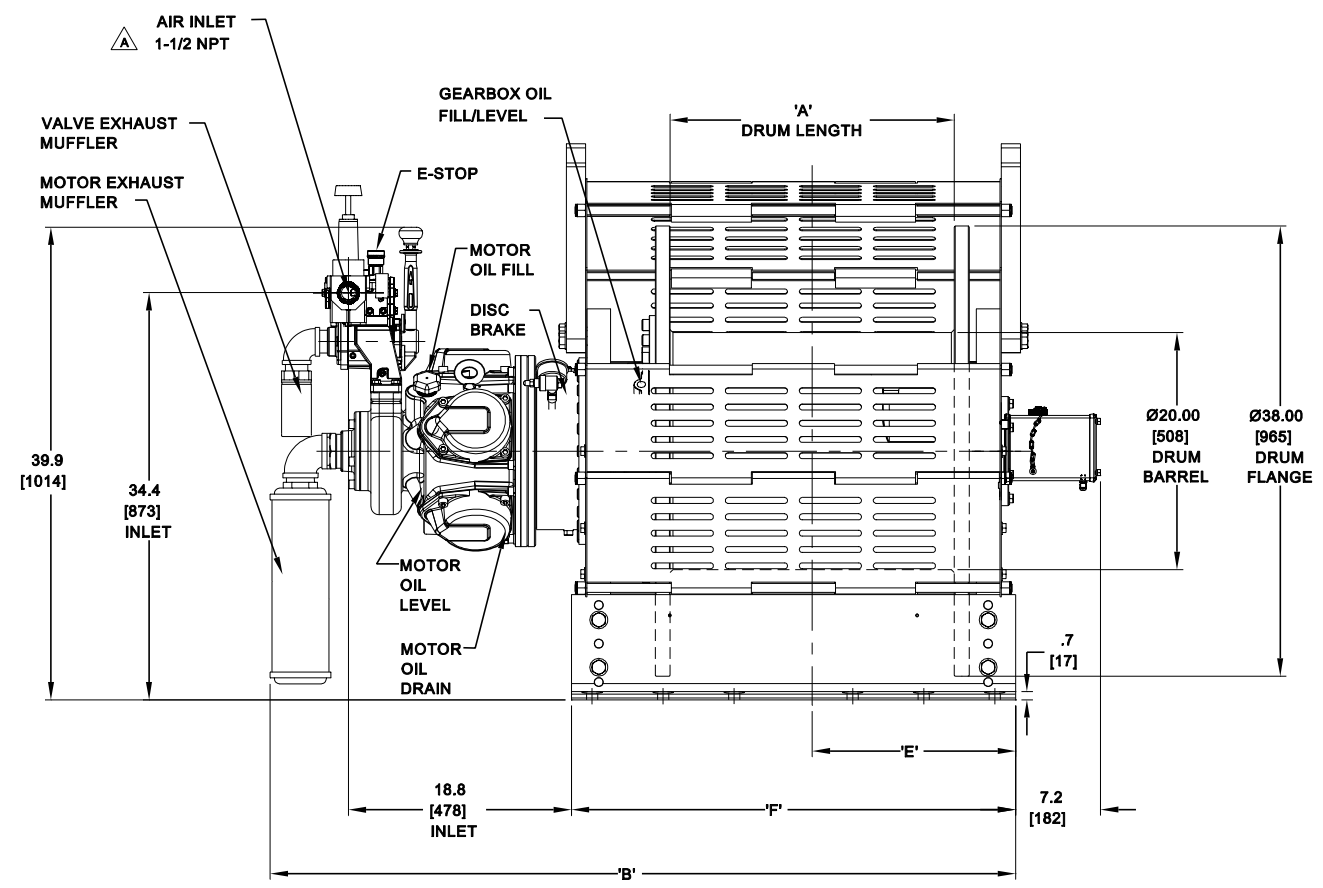
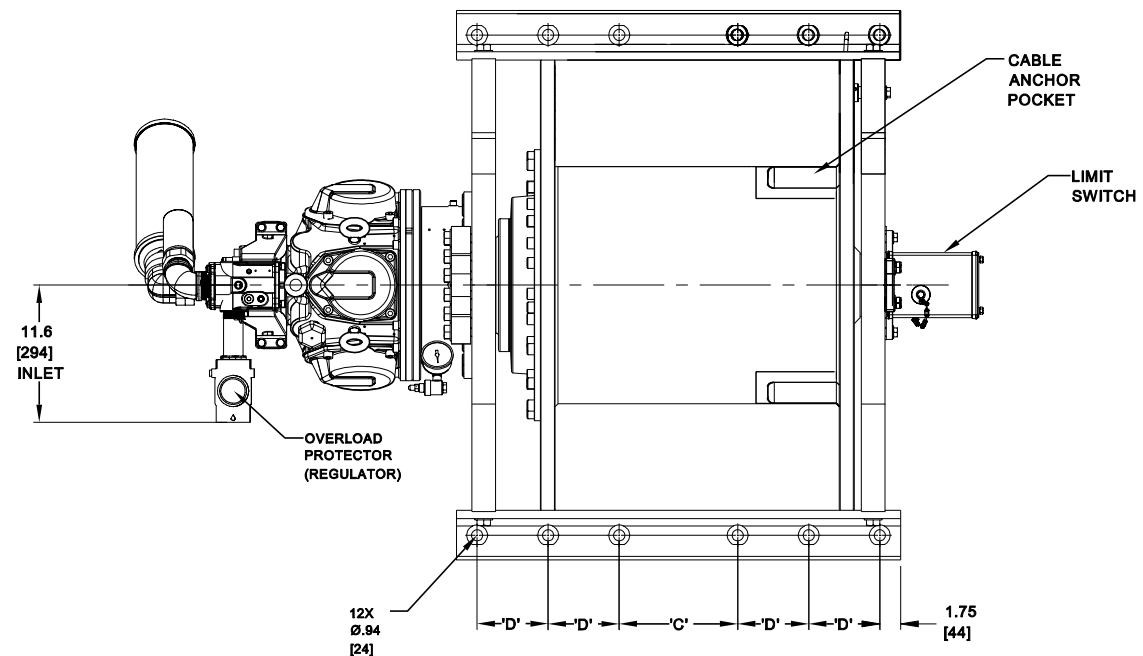


REVISIONS					
ZONE	LTR	DESCRIPTION	DATE	APPROVED	
	A	22mm WAS 1-1/8. 15.8 WAS 17.0. REV AIR INLET. SE009719	10/27/11	WEO	WD



MODEL	DIM 'A'	DIM 'B'	DIM 'C'	DIM 'D'	DIM 'E'	DIM 'F'
FA10i-20XK1-CE	20.00 [508]	58.9 [1496]	6.00 [152]	6.00 [152]	12.2 [386]	33.50 [851]
FA10i-24XK1-CE	24.00 [610]	62.9 [1598]	10.00 [254]	6.00 [152]	17.2 [436]	37.50 [952]
FA10i-30XK1-CE	30.00 [762]	68.9 [1750]	8.00 [203]	8.00 [203]	20.2 [513]	43.50 [1105]
FA10i-36XK1-CE	36.00 [914]	74.9 [1902]	14.00 [356]	8.00 [203]	23.2 [589]	49.50 [1257]
FA10i-40XK1-CE	40.00 [1016]	78.9 [2004]	18.00 [457]	8.00 [203]	25.2 [640]	53.50 [1359]
FA10i-50XK1-CE	50.00 [1270]	88.9 [2258]	28.00 [711]	8.00 [203]	30.2 [767]	63.50 [1613]

**NOTES:**

- DIMENSIONS SHOWN ARE IN INCHES. DIMENSIONS IN BRACKETS [ ] ARE mm.
- GUARDING REMOVE FROM TOP VIEW FOR CLARITY.

**PERFORMANCE SPECIFICATIONS:**

RATED LINE PULL: 22,000 lbs [10,000 kg] ± TOP LAYER  
 RATED LINE SPEED: 23 fpm [7 m/min] ± TOP LAYER  
 INLET PRESSURE: 90 psi [6.3 bar] RUNNING  
 AVERAGE AIR CONSUMPTION: 800 scfm [22.7 m3/min]

ITEM	QTY	SIZE	PART NO	DESCRIPTION
<p>THE DOCUMENT CONTAINS CONFIDENTIAL AND TRADE SECRET INFORMATION, IS THE PROPERTY OF INGERSOLL-RAND COMPANY, AND IS LOANED TO THE RECEIVER IN CONFIDENCE. THE RECEIVER IN RECEIVING AND RETENTION OF THE DOCUMENT ACCEPTS THE DOCUMENT IN CONFIDENCE AND AGREES THAT, EXCEPT AS AUTHORIZED BY WRITING BY INGERSOLL-RAND COMPANY, IT WILL NOT USE THE DOCUMENT OR ANY COPY THEREOF OR THE CONFIDENTIAL OR TRADE SECRET INFORMATION THEREIN (NOT COPY THE DOCUMENT, (2) NOT DISCLOSE TO OTHERS WITHIN THE COMPANY OR THE CONFIDENTIAL OR TRADE SECRET INFORMATION THEREIN, AND (3) UPON COMPLETION OF THE NEED TO RETAIN THE DOCUMENT, OR UPON DEMAND, RETURN THE DOCUMENT, ALL COPIES THEREOF, AND ALL MATERIAL DERIVED THEREFROM.</p> <p>WARNING: The export or reexport of this drawing or a product produced by this drawing is subject to U. S. Export Administration Regulations and other applicable governmental restrictions or regulations.</p> <p>Copyright © 2011 Ingersoll-Rand Company All Rights Reserved</p> <p><b>IR Ingersoll-Rand.</b></p> <p>Ingersoll-Rand Company Tool &amp; Hoist Division Seattle, WA, U.S.A.</p> <p><b>WINCH, AIR</b> OUTLINE/DIMENSIONAL FA10i-XXK1-CE</p>				
UNLESS OTHERWISE SPECIFIED TOLERANCES ON DIMENSIONS ARE DECIMALS:		THIRD ANGLE PROJECTION		
2 PLACES: .001	± .02	DRAWN	DATE	TITLE
3 PLACES: .0005	± .005	CN	04/17/08	WINCH, AIR
ANGLES:	± 0.5°	CHECKED		OUTLINE/DIMENSIONAL
BREAK EDGES .010 SURF 128		APPROVED		FA10i-XXK1-CE
		ENG APPV		SIZE PART NO.
		AEW	6/15/09	C 382-35166
		SCALE:	1:8	DWG NO. 382-35166
				REV A
				SHEET 1 OF 1

DWG NO. 382-35166 SH. 1

A