



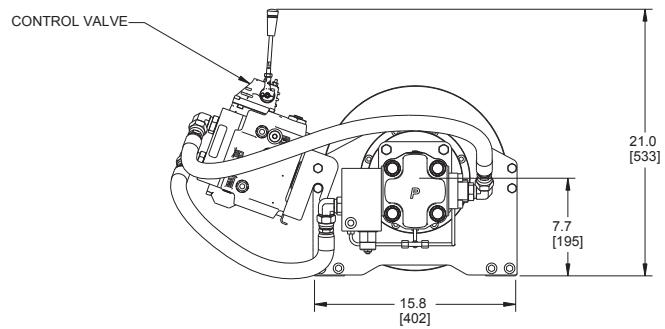
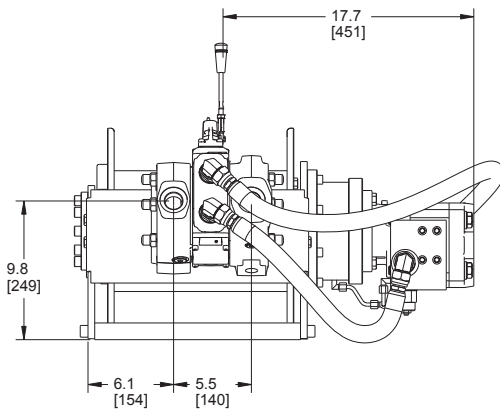
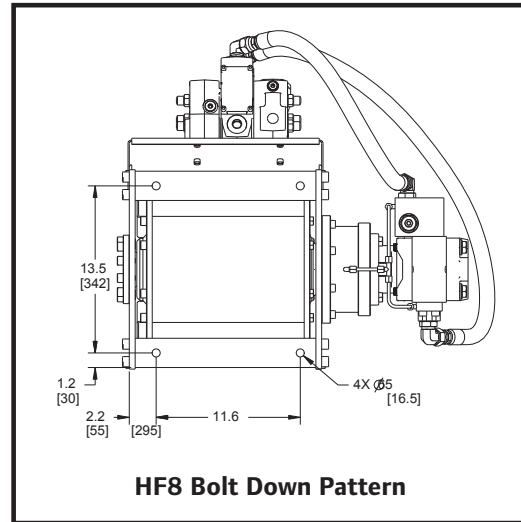
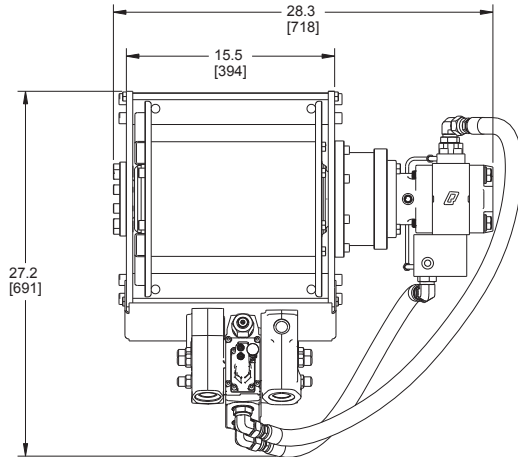
HF8 Hydraulic Force Series™ Utility Winch Specifications

Specification/Feature	HF8 Utility Winch
Motor Type	Hydraulic Gear
Gearing	Multi-Stage Planetary Gearbox
Gear Ratio	21:1
First Layer Lifting Capacity (lbs)	8,000 lbs
Top Layer Lifting Capacity (lbs)	5,500 lbs
First Layer Line Speed (fpm)	235 fpm @ 65 GPM
Top Layer Line Speed (fpm)	367 fpm @ 65 GPM
Rope Storage Capacity (ft)	424 ft (1/2" wire rope)
Working Rope Capacity (ft)	338 ft (1/2" wire rope)
Operating Pressure (psi)	2500 psi (max)
Flow Rate (gpm)	65 gpm (max)
Shipping Weight (lbs)	410 lbs*
Drum Length (in)	12.24"
Brakes	Disc + counterbalance valve
Throttle Type	Manual proportional
Min Design Temperature	-10°C (14°F)
D/d Ratio	18:1 (1/2" wire rope)
Cable Anchor Design	Side Pocket
Control Options	Local Lever Standard Option for Remote Lever
Drum Guard	Option
Cable Tensioner (Press Roller)	Option
Pedestal Base (Vertical Takeoff Only)	Option
Manual Rope Guide	Option
Other Features of Note	Electric over hydraulic control valve configured for wireless controller

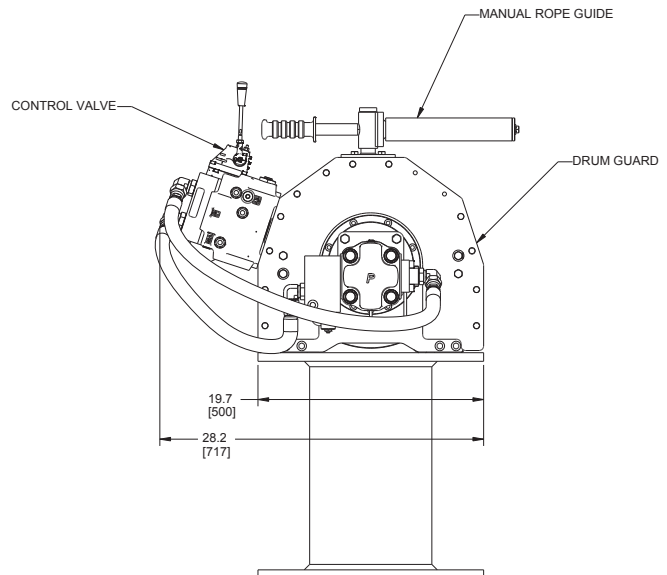
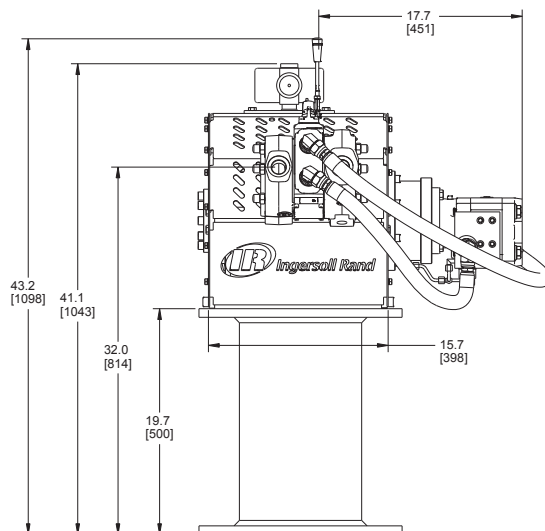
*Weight of the winch with local controls only

HF8 Hydraulic Force Series™ Utility Winch Dimensions

HF8 Dimensions with Local Controls



HF8 Dimensions with Local Controls & Accessories



ingersollrandproducts.com

Ingersoll Rand (NYSE:IR) advances the quality of life by creating comfortable, sustainable and efficient environments. Our people and our family of brands—including Club Car®, Ingersoll Rand®, Thermo King® and Trane®—work together to enhance the quality and comfort of air in homes and buildings; transport and protect food and perishables; and increase industrial productivity and efficiency. We are a \$14 billion global business committed to a world of sustainable progress and enduring results. For more information, visit ingersollrandproducts.com/hydraulicforce.