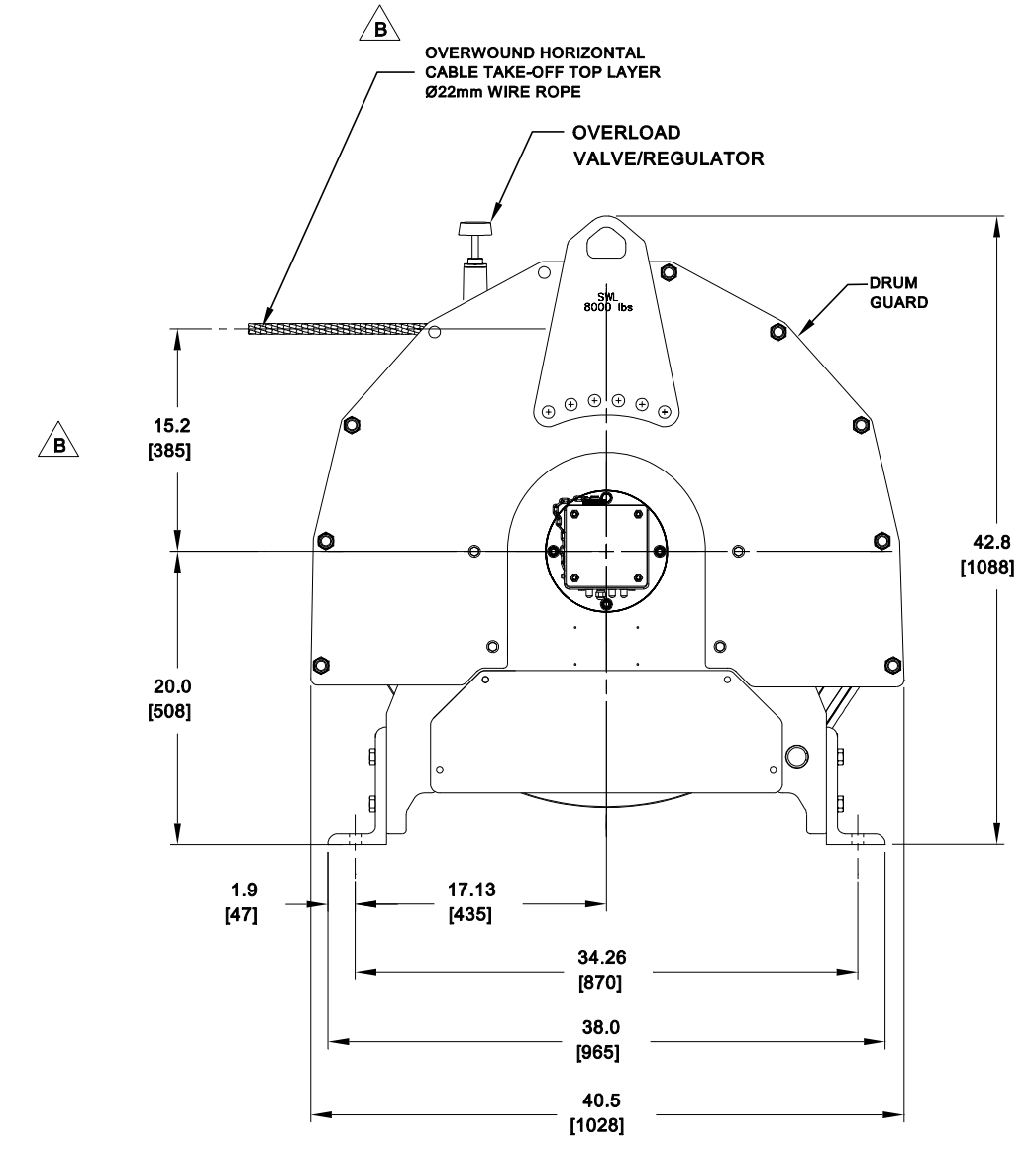
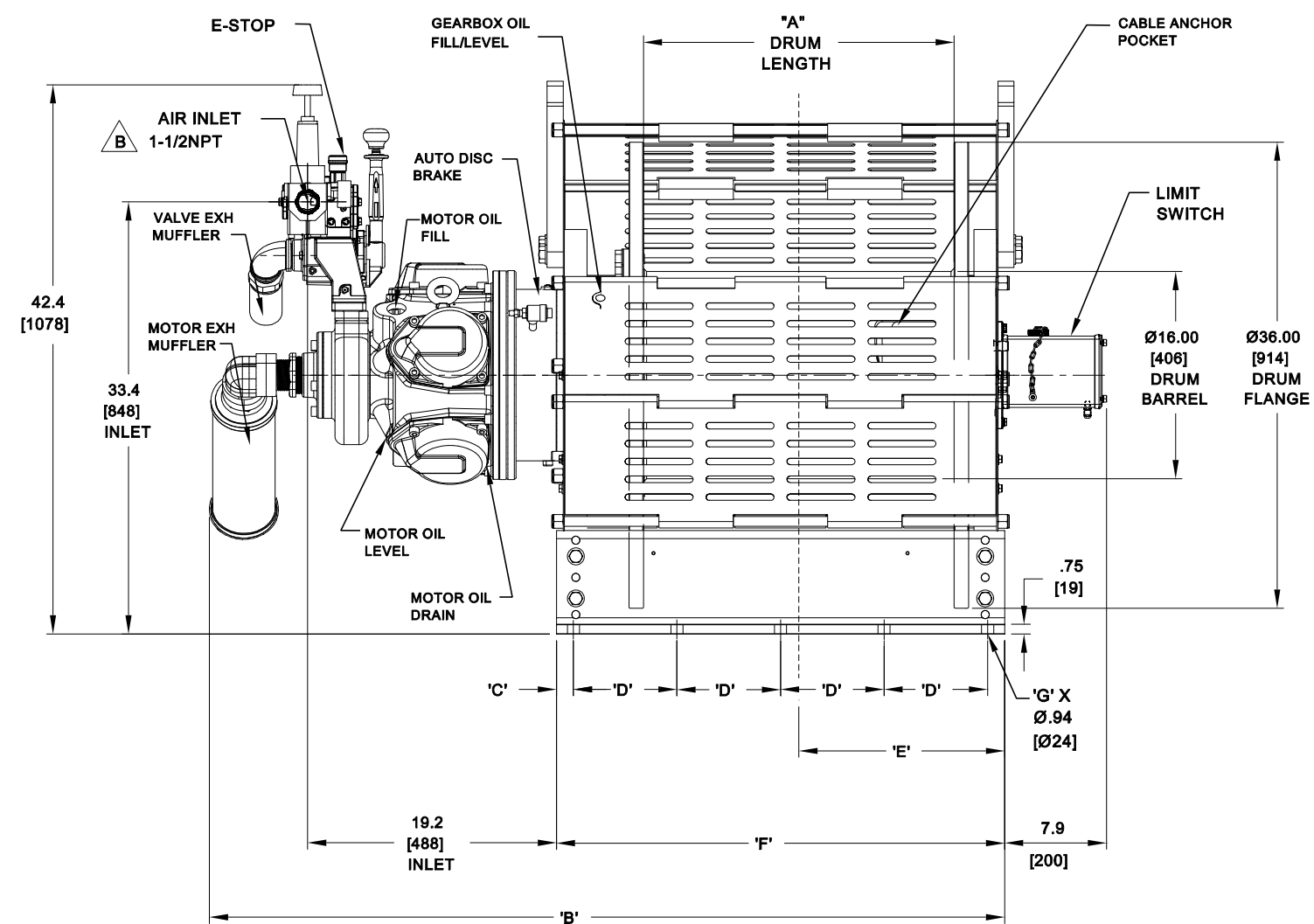


REVISIONS				
ZONE	LTR	DESCRIPTION	DATE	APPROVED
	B	22 mm WAS 7/8". 65 PSI WAS 90 PSI. 15.2 WAS 16.8. REV AIR INLET. SE009719	10/27/11	WEO <i>WO</i>



MODEL	DIM 'A'	DIM 'B'	DIM 'C'	DIM 'D'	DIM 'E'	DIM 'F'	QTY 'G'
FA7Ti-20XK1-CE	20.00 [508]	57.4 [1458]	1.81 [46]	9.00 [229]	13.9 [353]	30.63 [778]	8
FA7Ti-24XK1-CE	24.00 [610]	61.4 [1560]	1.31 [33]	8.00 [203]	15.9 [404]	34.63 [880]	10
FA7Ti-30XK1-CE	30.00 [762]	67.4 [1712]	1.31 [33]	9.50 [241]	18.9 [480]	40.63 [1032]	10
FA7Ti-36XK1-CE	36.00 [914]	73.4 [1864]	2.06 [52]	8.50 [216]	21.9 [556]	46.63 [1184]	12
FA7Ti-42XK1-CE	42.00 [305]	79.4 [2017]	1.31 [33]	10.00 [254]	24.9 [632]	52.63 [1337]	12

NOTE:
 1. DIMENSIONS SHOWN ARE IN INCHES
 DIMENSIONS IN BRACKETS [] ARE mm

PERFORMANCE SPECIFICATIONS:
 RATED LINE PULL - 12,600 lbs [5,715 kg] ± TOP LAYER
 RATED LINE SPEED - 48 fpm [15 m/min] ± TOP LAYER
 INLET PRESSURE - 65 psi [4.5 bar] RUNNING
 AVERAGE AIR CONSUMPTION - 750 scfm [21.3 m3/min]

ITEM	QTY	SIZE	PART NO	DESCRIPTION
<small>THE DOCUMENT CONTAINS CONFIDENTIAL AND TRADE SECRET INFORMATION, IS THE PROPERTY OF INGERSOLL-RAND COMPANY, AND IS LOANED TO THE RECEIVER IN CONFIDENCE. THE RECEIVER BY ACCEPTANCE AND RETENTION OF THIS DOCUMENT ACCEPTS THE DOCUMENT IN CONFIDENCE AND AGREES THAT, EXCEPT AS AUTHORIZED BY WRITING BY INGERSOLL-RAND COMPANY, IT WILL NOT USE THE DOCUMENT OR ANY COPY THEREOF OR THE CONFIDENTIAL OR TRADE SECRET INFORMATION THEREIN (S) NOT COPY THE DOCUMENT, (S) NOT DISCLOSE TO OTHERS EITHER THE DOCUMENT OR THE CONFIDENTIAL OR TRADE SECRET INFORMATION THEREIN, AND (S) UPON COMPLETION OF THE NEED TO RETURN THE DOCUMENT, OR UPON DEMAND, RETURN THE DOCUMENT, ALL COPIES THEREOF, AND ALL MATERIAL COPIED THEREFROM.</small>				
<small>UNLESS OTHERWISE SPECIFIED TOLERANCES ON DIMENSIONS ARE DECIMALS: 2 PLACES: .001 ± .02 3 PLACES: .000 ± .005 ANGLES: ± 0.5°</small>				
<small>THIRD ANGLE PROJECTION</small>			<small>WARNING: The export or reexport of this drawing or a product produced by this drawing is subject to U. S. Export Administration Regulations and other applicable governmental restrictions or regulations.</small>	
<small>DRAWN DATE 04/18/08</small>		<small>Copyright © 2011 Ingersoll-Rand Company All Rights Reserved</small>		
<small>CHECKED</small>				
<small>APPROVED</small>		WINCH, AIR OUTLINE/DIMENSIONAL FA7Ti-XK1-CE		
<small>ENG APPV. AEW 6/15/09</small>		<small>SIZE PART NO. C 382-35165</small>		<small>REV B</small>
<small>BREAK EDGES .010 SURF 126</small>		<small>SCALE: 1:8</small>		<small>DWG NO. 382-35165</small> <small>SHEET 1 OF 1</small>

DWG NO. 382-35165 SH. 1