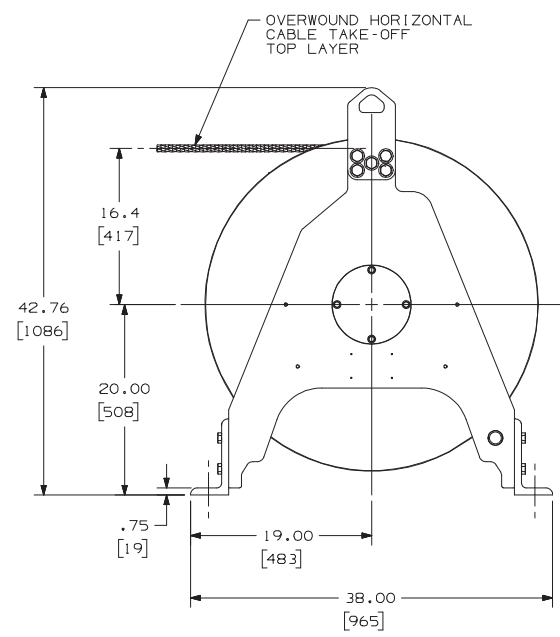
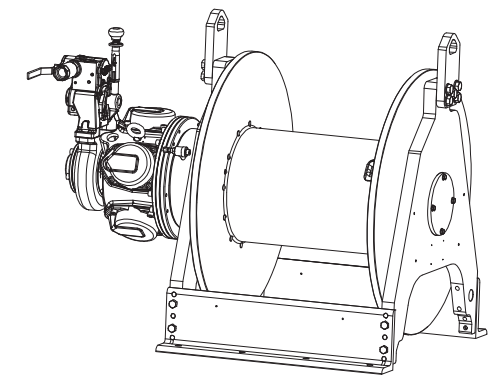
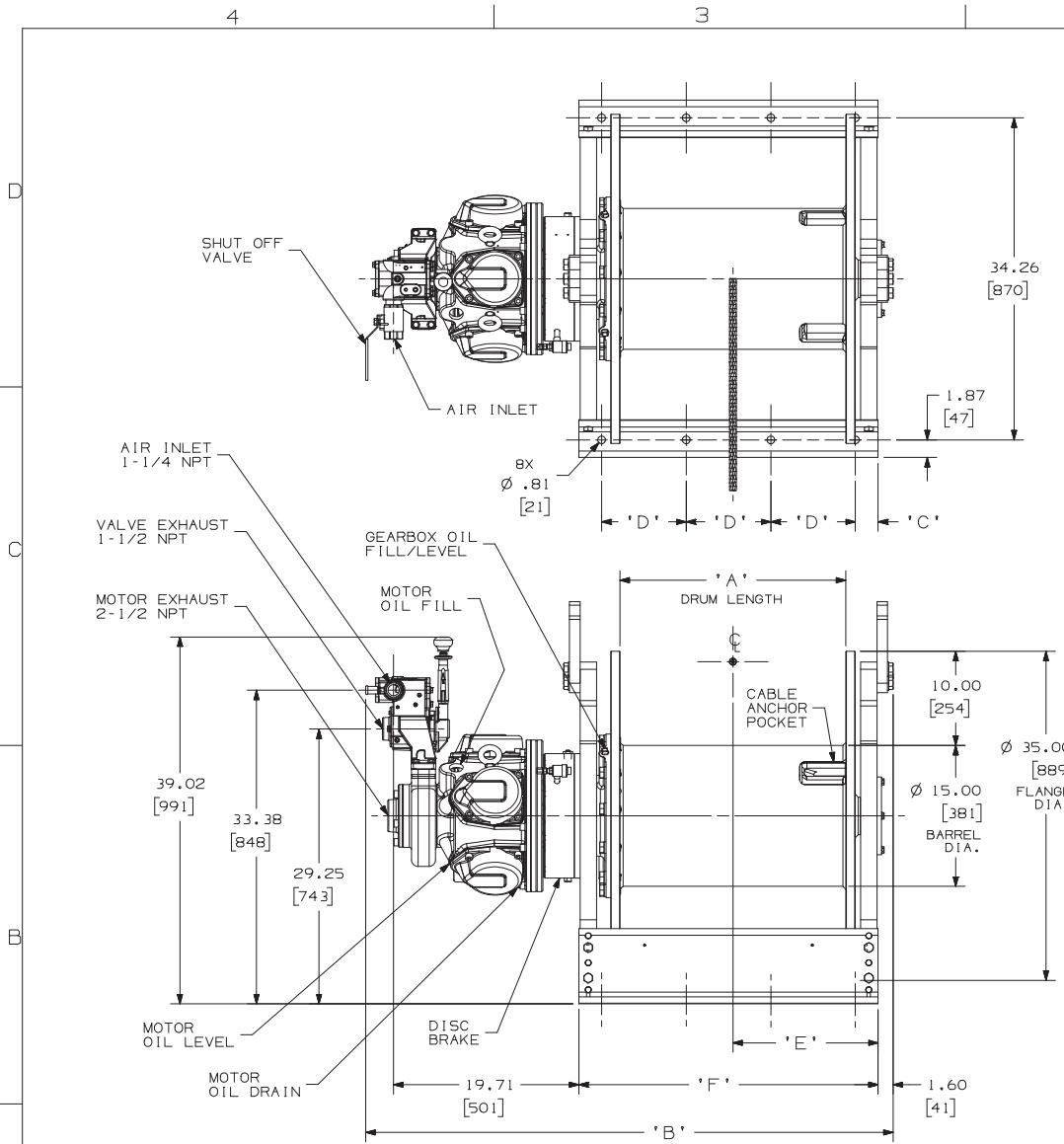


REVISIONS				
ZONE	LTR	DESCRIPTION	DATE	APPROVED
-	00	INITIAL RELEASE PER SE005901.	-	



MODEL	DIM 'A'	DIM 'B'	DIM 'C'	DIM 'D'	DIM 'E'	DIM 'F'
FASTi-12XK1	12.00 [305]	48.1 [1222]	2.92 [74]	6.00 [152]	9.46 [240]	23.84 [605]
FASTi-16XK1	16.00 [406]	48.1 [1222]	2.54 [64]	6.25 [159]	11.46 [291]	23.84 [605]
FASTi-20XK1	20.00 [508]	52.1 [1324]	1.17 [30]	8.50 [216]	13.46 [342]	27.84 [707]
FASTi-24XK1	24.00 [610]	56.1 [1425]	2.42 [61]	9.00 [229]	15.46 [393]	31.84 [809]
FASTi-30XK1	30.00 [762]	62.1 [1577]	.92 [23]	12.00 [305]	18.46 [469]	37.84 [961]
FASTi-36XK1	36.00 [914]	68.1 [1730]	.92 [23]	14.00 [356]	21.46 [545]	43.84 [1113]

- DIMENSIONS SHOWN ARE INCHES.
- DIMENSIONS IN BRACKETS [] ARE mm.

ITEM	QTY	SIZE	PART NO	DESCRIPTION	
<p>THIS DOCUMENT CONTAINS CONFIDENTIAL AND TRADE SECRET INFORMATION, IS THE PROPERTY OF INGERSOLL-RAND COMPANY, AND IS LOANED TO THE RECIPIENT IN CONFIDENCE. THE RECIPIENT MAY NOT DISCLOSE OR REPRODUCE THE CONTENT HEREIN WITHOUT THE WRITTEN PERMISSION OF INGERSOLL-RAND COMPANY. IF YOU ARE NOT THE RECIPIENT OF THIS INFORMATION, YOU ARE NOT TO DISCLOSE OR REPRODUCE THE CONTENT HEREIN. IF YOU ARE THE RECIPIENT OF THIS INFORMATION, YOU ARE TO KEEP IT CONFIDENTIAL AND NOT TO DISCLOSE OR REPRODUCE THE CONTENT HEREIN. IF YOU ARE THE RECIPIENT OF THIS INFORMATION, YOU ARE TO KEEP IT CONFIDENTIAL AND NOT TO DISCLOSE OR REPRODUCE THE CONTENT HEREIN. IF YOU ARE THE RECIPIENT OF THIS INFORMATION, YOU ARE TO KEEP IT CONFIDENTIAL AND NOT TO DISCLOSE OR REPRODUCE THE CONTENT HEREIN.</p> <p>Copyright © 2005 Ingersoll-Rand Company All Rights Reserved</p> <p>IR Ingersoll-Rand.</p> <p>Ingersoll-Rand Company Tool & Hoist Division Seattle, WA, U.S.A.</p>					
<p>UNLESS OTHERWISE SPECIFIED, DIMENSIONS ON DIMENSIONS ARE IN INCHES. THIRD ANGLE PROJECTION.</p> <p>2 PLACES (1:10) 11.000 ± 0.002 3 PLACES (1:50) 11.000 ± 0.005 ANGLES ±0.5°</p> <p>BREAK EDGES 0.012 SURF 125</p>				<p>DATE: Nov/15/2005 DRAWN: JMD CHECKED: [Signature] APPROVED: [Signature] ENG APPR: W.D.</p>	<p>TITLE: WINCH, AIR OUTLINE/DIMENSIONAL FASTi-*XK1</p> <p>SIZE: C PART NO: 382-32005 DWG NO: 71470462 REV: 00</p> <p>SCALE: 1:10 SHEET: 1 OF 1</p>

DWG NO. 71470462 SHEET 1