



Manual Hoists



Whether you have to lift, pull, position, tension, or rig a load, Ingersoll Rand has the right manual hoist for the job.

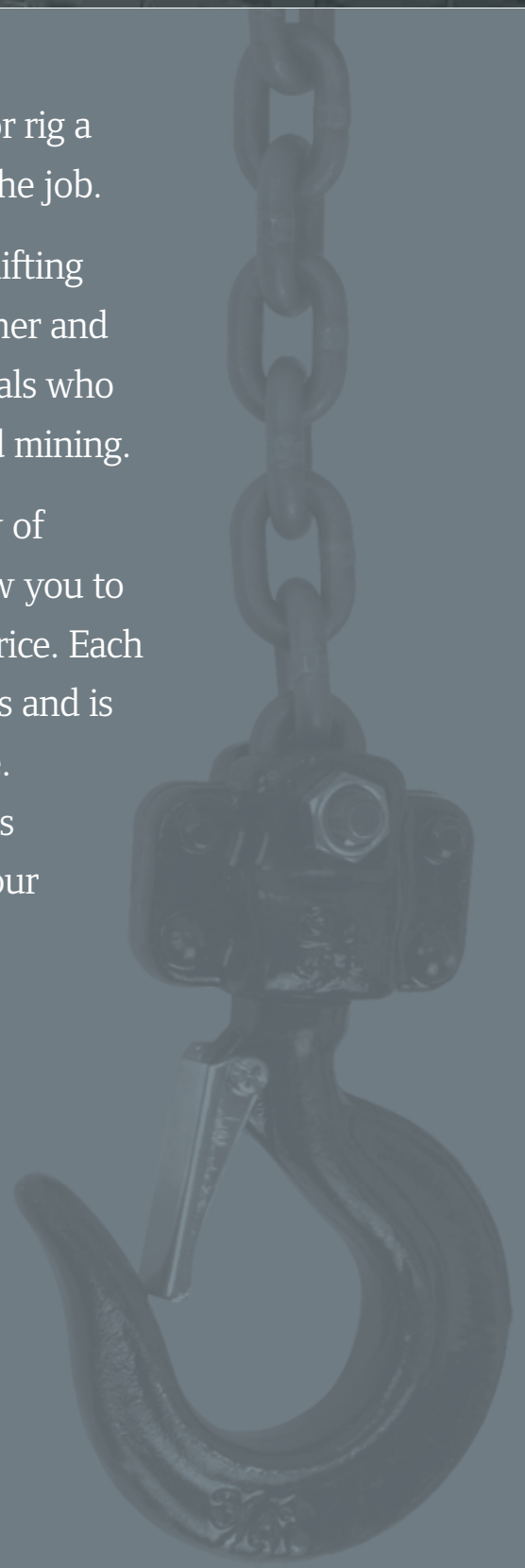
Our wire rope pullers are great for general purpose lifting and pulling applications. Popular with the homeowner and outdoorsman, they are also preferred by professionals who work in tough applications such as construction and mining.

Our manual and lever chain hoists come in a variety of model families, each with a set of features that allow you to choose the right hoist for the job, and at the right price. Each hoist is designed to meet ASME/ANSI specifications and is enhanced to make them as user-friendly as possible.

For example, the ergonomic design of the hand grips on our lever hoists and the overload protection on our manual hoists add comfort and safety for operators.

A host of options and accessories allow us to serve the demanding needs of applications in harsh environments. Just ask drilling operators how our THV Lo-Pros hold up offshore!

Whatever your application, location, or need, Ingersoll Rand has a hoist for you.



Manual hoist selection guide

Pullers

Model	Number of Lines	Rated Capacity lb	Lifting Distance ft	Cable Diameter in	Number of Hooks	Net Weight lb	Page No.
P SERIES							
P15H	Single	1,000	15	3/16	2	8	5
P15D3H	Single	1,000	15	3/16	3	10	5
P15D3H	Double	2,000	7.5	3/16	3	10	5
C SERIES							
C400H	Single	1,700	20	1/4	2	16	6
C400H	Double	3,400	10	1/4	3	16	6
C400S	Single	2,000	12	3/32 x 1-7/8	2	16	6
C400S	Double	4,000	6	3/32 x 1-7/8	3	16	6

Manual Chain Hoists

Model	Rated Capacity lb	metric tons	Chain Falls	Shipping Weight with 10' of Lift		Pull to Lift Rated Load		Page No.
	lb	tons		lb	kg	lb	kg	
KINETIC SERIES								
KM025	550	.25	1	9.5	4.3	41.8	19	6 & 7
KM050	1,100	.5	1	24.8	11.25	51.3	23.2	6 & 7
KM100	2,200	1	1	28.4	12.9	63.8	29	6 & 7
KM150	3,300	1.5	1	36	16.35	77.1	35	6 & 7
KM200	4,400	2	1	46.3	21	79.4	36	6 & 7
KM300	6,600	3	1	63.7	28.9	82.7	37.5	6 & 7
KM500	11,000	5	2	93.7	42.5	74.9	34	6 & 7
KM750	16,500	7.5	3	138.9	63	77.1	35	6 & 7
KM1000	22,000	10	4	231.2	104.9	79.4	36	6 & 7
KM2000	44,000	20	8	481.9	218.6	79.4 x 2	36 x 2	7
SILVER SERIES								
SMB005	1,100	0.50	1	24	10.9	55	24.9	9
SMB010	2,200	1	1	27	12.2	64	29	9
SMB015	3,300	1.50	1	39	17.7	69	31.3	9
SMB020	4,400	2	1	42	19	77	34.9	9
SMB030	6,600	3	1	70	31.7	100	45.4	9
SMB050	11,000	5	2	90	40.8	83	37.6	9
LO-PRO SERIES								
THV005	1,100	0.50	1	35	15.9	55	24.9	10 & 11
THV010	2,200	1	1	50	22.7	73	33.1	10 & 11
THV020	4,400	2	1	90	40.8	76	34.5	10 & 11
THV030	6,600	3	2	120	54.4	76	34.5	10 & 11
THV050	11,000	5	2	205	93	85	38.5	10 & 11
THV080	18,000	8	3	385	174.6	90	40.8	10 & 11
THV100	22,000	10	4	455	206.3	90	40.8	10 & 11

Lever Chain Hoist

Model	Rated Capacity lb	metric tons	Chain Falls	Shipping Weight with 10' of Lift		Pull to Lift Rated Load		Page No.
	lb	tons		lb	kg	lb	kg	
KINETIC SERIES								
KL075	1,650	.75	1	13.4	6.1	48.3	21.9	14
KL100	2,200	1	1	13.9	6.3	66.1	30	14
KL150	3,300	1.5	1	18.7	8.5	68.1	30.9	14
KL300	6,600	3	1	31.3	14.2	83.6	37.9	14
KL600	13,200	6	2	58.6	26.6	85.9	39	14
KL900	19,800	9	3	102.5	46.5	88.1	40	14
SIDEKICK SERIES								
KX025-5	250 kg	-	1	3.7	1.7	45	20.4	15
KX050-5	500 kg	-	1	5.6	2.7	54	24.5	15
KX075-5	750 kg	-	1	7.9	3.6	65.2	30	15
SILVER SERIES								
SLB150	1,650	0.75	1	16	7.3	41	18.6	16
SLB200	2,200	1	1	16	7.3	60	27.2	16
SLB300	3,300	1.50	1	26	11.8	53	24	16
SLB600	6,600	3	1	46	20.9	53	24	16
SLB1200	13,200	6	2	69	31.3	57	28.9	16

Note: Ingersoll Rand Kinetic Series, SideKick Series and Silver Series lever chain hoists meet or exceed ANSI B30.21 standards.

Manual Chain Hoists

Model	Rated Capacity lb	U.S. Tons	Chain Falls	Shipping Weight with 10' of Lift		Pull to Lift Rated Load		Page No.
	lb	Tons		lb	kg	lb	kg	
ULM2 SERIES								
ULM2-015	3,000	1.50	1 x 1	207	94.1	41	18.6	12 & 13
ULM2-020	4,000	2	1 x 1	210	95.5	54	24.5	12 & 13
ULM2-030	6,000	3	2 x 2	305	138.6	42	19.1	12 & 13
ULM2-040	8,000	4	2 x 2	308	140	56	25.5	12 & 13
ULM2-050	10,000	5	1 x 1	574	260.9	79	35.9	12 & 13
ULM2-060	12,000	6	1 x 1	574	260.9	94	42.7	12 & 13
ULM2-080	16,000	8	2 x 2	650	295.5	64	29.1	12 & 13
ULM2-100	20,000	10	2 x 2	1,022	464.5	87	39.5	12 & 13
ULM2-120	24,000	12	2 x 2	1,022	464.5	104	47.3	12 & 13
ULM2-160	32,000	16	4 x 2	1,600	727.3	68	30.9	12 & 13
ULM2-200	40,000	20	4 x 2	1,950	886.4	87	39.5	12 & 13
ULM2-240	48,000	24	4 x 2	1,950	886.4	104	47.3	12 & 13
ULM2-250	50,000	25	4 x 2	1,950	886.4	104	47.3	12 & 13
ULM2S SERIES								
ULM2S003	500	0.25	1 x 1	110	50	17	7.7	12 & 13
ULM2S005	1,000	0.50	1 x 1	127	57.7	35	15.9	12 & 13
ULM2S010	2,000	1	1 x 1	127	57.7	70	31.8	12 & 13
ULM2S015	3,000	1.50	2 x 2	245	111.4	57	25.9	12 & 13
ULM2S020	4,000	2	2 x 2	251	114.1	76	34.5	12 & 13
ULM2S030	6,000	3	2 x 2	345	156.8	42	19.1	12 & 13
ULM2S040	8,000	4	2 x 2	350	159.1	58	26.4	12 & 13
ULM2S050	10,000	5	2 x 2	466	211.8	73	33.2	12 & 13
ULM2S060	12,000	6	2 x 2	466	211.8	90	40.9	12 & 13

Note: Ingersoll Rand THV, ULM2/S, Kinetic Series and Silver Series manual chain hoists meet or exceed ANSI B30.16 standards.

Kinetic Series manual chain hoists

0.25 to 20 metric ton lifting capacities

Ingersoll Rand Kinetic Series premium manual chain hoists are engineered for the harshest of environments and deliver exceptional durability to meet your toughest demands. With grade 100 Electro-galvanized chain, cast hook latches, all steel construction and extensive use of bearings these hoists are designed to LAST with minimal down time.

Kinetic Series hoists; Safe, Compact, Durable.

Features

- All steel construction for exceptional durability and light weight
- Reinforced double pawl brake with large diameter pawl springs for a highly dependable brake system
- Single chain fall through 3 metric tons
- Full bearing construction on load sprockets and pinion shaft for reduced pull effort and longer life
- Premium grade 100, Electro-Galvanized chain designed for exceptional corrosion resistance for increased durability.
- Heavy duty cast hook latches designed for less latch replacements
- CE certified; hoists meet or exceed regional requirements including ASME B30.16, HST-2M.



Kinetic Series Specifications

Model	Capacity		Number of Falls	Pull to Lift Rated Load		Chain Weight		Shipping Weight with 10' of Lift	
	lbs	metric tons		lb	kg	lb/ft	kg/ft	lb	kg
KM025	550	0.25	1	41.8	19	0.25	0.11	9.5	4.3
KM050	1,100	0.5	1	51.3	23.2	1.01	0.46	24.8	11.25
KM100	2,200	1	1	63.8	29	1.21	0.55	28.4	12.9
KM150	3,300	1.5	1	77.1	35	1.41	0.64	36	16.35
KM200	4,400	2	1	79.4	36	1.55	0.7	46.3	21
KM300	6,600	3	1	82.7	37.5	1.55	0.7	63.7	28.9
KM500	11,000	5	2	74.9	34	2.96	1.34	93.7	42.5
KM750	16,500	7.5	3	77.1	35	4.17	1.89	138.9	63
KM1000	22,000	10	4	79.4	36	5.31	2.41	231.2	104.9
KM2000	44,000	20	8	79.4x2	36x2	10.62	4.82	481.9	218.6

Note: Overload clutch is available on all capacities.

► HOW TO ORDER KM030V-20-18

Example: **Base Model** - **Lift** - **Hand Chain Drop**
 KM030 - **20** - **18**

Overload clutch = V



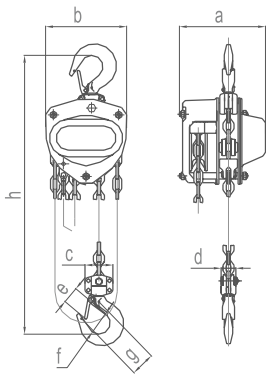
Kinetic Series manual chain hoists

0.25 to 20 metric ton lifting capacities

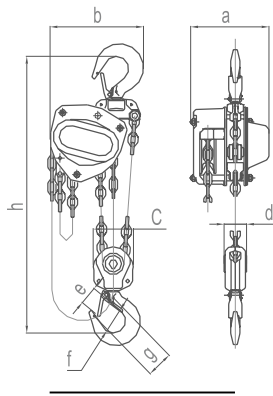
Kinetic Series Dimensions

Model	A		B		C		D		E		F		G		H	
	mm	(in)	mm	(in)	mm	(in)	mm	(in)	mm	(in)	mm	(in)	mm	(in)	mm	(in)
KM025	96	3.8	109	4.3	29.5	1.2	21	0.8	27	1.1	32	1.3	35.5	1.4	250	9.8
KM050	130.5	5.1	139.5	5.5	43	1.7	25	1.0	27	1.1	32	1.3	35	1.4	285	11.2
KM100	161.5	6.4	161	6.3	51	2.0	30	1.2	33	1.3	40	1.6	45	1.8	295	11.6
KM150	170	6.7	182	7.2	64	2.5	34	1.3	33.5	1.3	42	1.7	47	1.9	350	13.8
KM200	183.5	7.2	202.5	8.0	64	2.5	34	1.3	37	1.5	46	1.8	52	2.0	375	14.8
KM300	190.5	7.5	235	9.3	68.5	2.7	38.6	1.5	43	1.7	49.5	1.9	62	2.4	485	19.1
KM500	192	7.6	282	11.1	133	5.2	64	2.5	51	2.0	60	2.4	79	3.1	600	23.6
KM750	192	7.6	373	14.7	120	4.7	70	2.8	64	2.5	85	3.3	-	-	740	29.1
KM1000	192	7.6	360.5	14.2	263	10.4	95	3.7	64	2.5	85	3.3	-	-	760	29.9
KM2000	230	9.1	655	25.8	286	11.3	123	4.8	82	3.2	110	4.3	-	-	1150	45.3

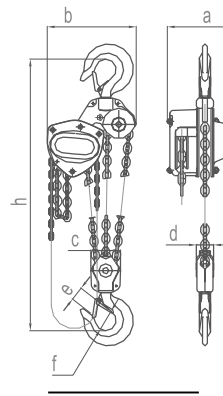
Dimensions are subject to change.



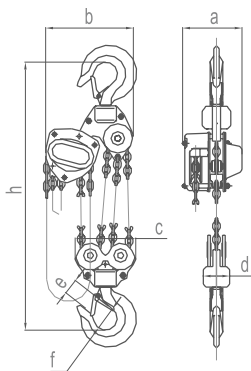
0.25t, 0.5t, 1t, 1.5t, 2t, 3t



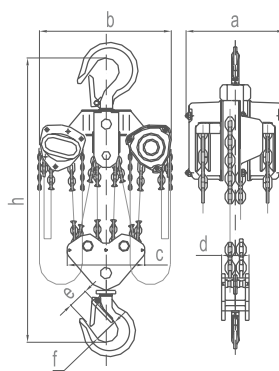
5t



7.5t



10t



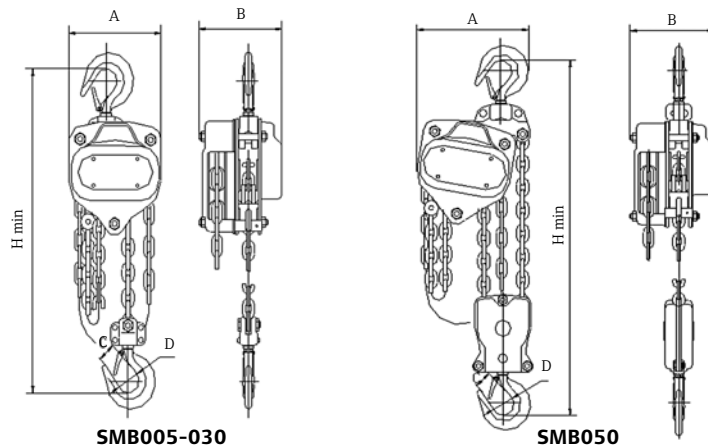
20t

Silver Series manual chain hoists

0.50 to 5 metric ton lifting capacities

Ingersoll Rand SMB Silver Series manual chain hoists offer the strength and durability you need in tough lifting situations. Their high-strength, all-stamped steel construction provides decreased weight and better impact resistance. In addition, the hoists feature roller bearings on input shafts for easier lifting.

- Encased and retained roller bearings for increased efficiency and ease of maintenance
- Single chain fall through 3 tons
- Nickel / chrome-plated exterior and zinc-plated frame components for increased corrosion resistance
- Double hand-chain guides for smooth operation when pulling excess hand chain
- Open frame design for easy cleaning and inspection
- CE certified; hoists meet or exceed regional requirements including ASME B30.16, HST-2M
- Hardened swivel-latch hooks
- Overload protection; clutch slips in the lifting direction only



Silver Series Specifications

Model	Capacity			Pull to Lift Rated Load		Chain O'Hauled to Lift Load 1 ft		Chain Size mm	Chain Weight per Foot		Shipping Weight with 10' of Lift	
	lb	metric tons	# Falls	lb	kg	ft	m		lb	kg	lb	kg
SMB005	1,100	0.50	1	55	25	25	7.6	5 x 15	0.6	0.3	23.5	10.68
SMB010	2,200	1	1	64	29.1	39	11.9	6 x 18	0.6	0.3	26.8	12.18
SMB015	3,300	1.50	1	69	31.4	58	17.7	7 x 21	1	0.5	38.5	17.5
SMB020	4,400	2	1	77	35	75	22.9	8 x 24.6	1.1	0.5	42.4	19.27
SMB030	6,600	3	1	100	45.5	116	35.4	10 x 30	2.1	1	70.4	32
SMB050	11,000	5	2	83	37.7	187	57	9 x 27	2.4	1.1	90.2	41

Note: Overload clutch is standard equipment on all models.

Silver Series Dimensions (in)

Model	A	B	C	D	H (min)
SMB005	5.2	5.4	1.1	1.5	12.8
SMB010	5.9	6	1.3	1.6	13.8
SMB015	7	6.8	1.4	1.8	17.1
SMB020	7.6	6.9	1.6	2	18.2
SMB030	9.4	8	1.7	2.2	20.9
SMB050	11.2	7.4	2	2.6	28

Note: Dimensions are subject to change.

► HOW TO ORDER

Example: Base Model - Lift - Hand Chain Drop Option
SMB050- - 20 - 18 VB

Bullard bottom hook = B (available up to 2 ton only)

Overload clutch (V) - Standard

S*COR*E hand chain - Standard

THV Lo-Pro Series Army-style manual chain hoists

0.50 to 10 metric ton lifting capacities

Features

- Low-headroom trolley hoist
- Premium VL2 hoist coupled with low-profile trolley
- All-steel construction for external impact resistance
- Forged-steel alloy load hooks with non-slip design and extra-wide throat openings for easy rigging
- Premium-grade 100 steel alloy load chain
- Contour trolley wheel design provides maximum beam contact on flat or tapered beams
- Thrust-bearing bottom block helps prevent chain twisting or kinking
- Needle bearings reduce friction and provide low hand chain pull



THV Lo-Pro Series Specifications

Model	Capacity		# Falls	Pull to Lift Rated Load		Chain O'Hauled to Lift Load 1 ft		Chain Size mm	Chain Weight per Foot		Shipping Weight with 10' of Lift		Shipping Weight with Plain Trolley		Shipping Weight with Geared Trolley	
	lb	metric tons		lb	kg	ft	m		lb	kg	lb	kg	lb	kg	lb	kg
THV005	1,100	0.50	1	55	25	25	7.6	5 x 15	1	0.4	15	6.8	35	15.9	38	17.2
THV010	2,200	1	1	73	33.2	39	11.9	6.3 x 19.2	1.2	0.5	29	13.2	50	22.7	54	24.5
THV020	4,400	2	1	76	34.5	75	22.9	8 x 24.2	1.5	0.7	37	16.8	90	40.8	96	43.5
THV030	6,600	3	2	76	34.5	116	35.4	7.1 x 21.2	2.1	1	44	20	120	54.4	128	58
THV050	11,000	5	2	85	38.6	187	57	9 x 27.2	3	1.4	55	24.9	205	93	255	115.6
THV080	18,000	8	3	90	40.9	281	85.6	9 x 27.2	4.2	1.9	60	27.2	385	174.6	420	190.5
THV100	22,000	10	4	90	40.9	375	114.3	9 x 27.2	5.4	2.5	60	27.2	455	206.3	480	217.7

► HOW TO ORDER

Example: Base Model - **Lift** - **Hand Chain Drop** **Flange Width** **Option**
THV05G- - **20** - **18** **B** **VPNZS**

B flange (2 inch over std) = B
 S*COR*E load chain = N (standard on CP and SB models only)
 Fabric chain container = S
 Trolley lugs and bumpers = T
 Overload clutch = V (standard)
 Sandblast / carbozinc = Z

*Note: S*COR*E options provide improved protection, durability and performance for hoist operating in corrosive or harsh environments or where additional spark resistance is desirable.*

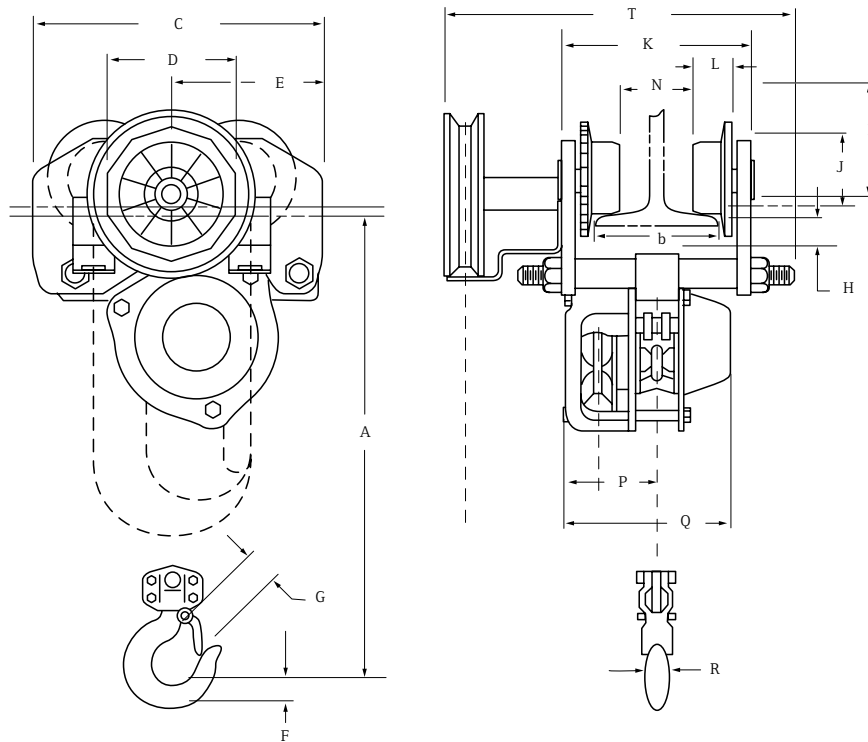
THV Lo-Pro Series

0.50 to 10 metric ton lifting capacities

THV Series Dimensions (in)

Model	A (min)	C	D	E	F	G	H	I	J	K	L	N	P	Q	R	T*
THV005	10.6	10	4.5	5.5	0.8	1.1	1.5	4.3	2.8	b+1.9	1.4	b-1.9	2.8	6.3	0.5	11.6
THV010	12.7	10	4.5	5.5	0.9	1.1	1.5	4.3	2.8	b+1.9	1.4	b-1.9	2.8	6.4	0.6	11.6
THV020	15.2	12.6	5.4	7.1	1.4	1.5	1.1	5	3.4	b+2	1.5	b-2.1	3.5	7.3	0.9	11.6
THV030	17.4	14	6.3	7.9	1.5	1.6	1.5	5.8	4	b+2.1	1.6	b-2.4	3.1	6.8	1.1	12
THV050	21.5	17.5	7	10.5	1.9	1.8	1.4	6.6	4.8	b+2.8	2.1	b-2.9	3.5	7.5	1.4	14.5
THV080	26.8	20.5	7.8	9.9	2.9	2.5	1.2	7.4	6.1	b+3.3	2.4	b-3.5	4	8.3	2.1	18.8
THV100	27.6	20.5	7.8	9.9	2.9	2.5	1.2	7.4	6.1	b+3.3	2.4	b-3.5	4	8.3	2.1	18.8

* Applicable for geared trolleys only.



ULM2/S Ultra-Lo Series manual chain hoist

0.25 to 25 U.S. ton lifting capacities

Features

The Ingersoll Rand ULM2 and ULM2S have been designed to offer our lowest headroom possible, maximizing lifting capacities for areas with height restrictions.

- All steel construction for external impact resistance
- Forged steel load hooks
- Chill-hardened, machine tread trolley wheels with two precision bearings per wheel
- Swivel trolleys available to travel extremely tight radius, (as tight as 21 feet) for track without sacrificing headroom for capacities up to 6 ton
- Custom built for easy installation
- Low headroom capacities available from 0.25 through 25 ton
- Two roller thrust bearings used in trolley capacities 3 tons and larger for longer life and reliability
- Corrosion-resistant zinc-plated hand chain
- Designed and built to ANSI B30.16



Options

- Stainless steel and bronze parts available for spark-resistant features
- Corrosion-resistant finish
- Overload clutch for all capacities
- Chain container for all capacities and all lifts up to 50 feet
- Track clamps
- Hand wheel extensions
- Zinc-plated load chain

► HOW TO ORDER

Example: Series - Trolley - Capacity Lift/ft Drop/ft Options
ULM2 - GT - 010- 10- 6 V

ULM2 PT = Plain trolley tapered **Options**
 ULM2S w/ PF = Plain trolley flat Overload clutch = V
 swivel trolley GT = Geared trolley tapered Fabric chain container = C
 GF = Geared trolley flat

ULM2/S Series Specifications

Model	Capacity			Pull to Lift		Chain O'Hauled to Lift		Chain Size	Straight Track		Min. Curve		Max width for		Shipping Weight		Shipping Weight	
	U.S. lb	Tons	# Falls	Rated Load lb	kg	ft	m		Flange Adj. in	mm	Radius in	mm	min. curve radius in	mm	Plain Trolley lb	kg	Geared Trolley lb	kg
ULM2 SERIES																		
ULM2-015	3,000	1.50	1 x 1	41	18.6	87	26.5	7.1	3.3 - 8	83.8 - 203.2	78	1981.2	-	-	207	94.1	230	104.5
ULM2-020	4,000	2	1 x 1	54	24.5	87	26.5	7.1	3.3 - 8	83.8 - 203.2	78	1981.2	-	-	210	95.5	233	105.9
ULM2-030	6,000	3	2 x 2	42	19.1	176	53.6	7.1	4 - 8	101.6 - 203.2	78	1981.2	-	-	305	138.6	355	161.4
ULM2-040	8,000	4	2 x 2	56	25.5	176	53.6	7.1	4 - 8	101.6 - 203.2	90	2286	-	-	308	140	340	154.5
ULM2-050	10,000	5	1 x 1	79	35.9	165	50.3	13.5	4.6 - 8	116.8 - 203.2	102	2590.8	-	-	574	260.9	633	287.7
ULM2-060	12,000	6	1 x 1	94	42.7	165	50.3	13.5	4.6 - 8	116.8 - 203.2	102	2590.8	-	-	574	260.9	633	287.7
ULM2-080	16,000	8	2 x 2	64	29.1	355	108.2	9.5	4.6 - 8	116.8 - 203.2	114	2895.6	-	-	650	295.5	773	351.4
ULM2-100	20,000	10	2 x 2	87	39.5	330	100.6	13.5	5 - 8	127 - 203.2	-	-	-	-	1,022	464.5	1,105	502.3
ULM2-120	24,000	12	2 x 2	104	47.3	330	100.6	13.5	5 - 8	127 - 203.2	-	-	-	-	1,022	464.5	1,105	502.3
ULM2-160	32,000	16	4 x 2	68	30.9	710	216.4	9.5	5 - 8	127 - 203.2	-	-	-	-	1,600	727.3	1,681	764.1
ULM2-200	40,000	20	4 x 2	87	39.5	732	223.1	13.5	6 - 8	152.4 - 203.2	-	-	-	-	1,950	886.4	2,110	959.1
ULM2-240	48,000	24	4 x 2	104	47.3	732	223.1	13.5	6 - 8	152.4 - 203.2	-	-	-	-	1,950	886.4	2,110	959.1
ULM2-250	50,000	25	4 x 2	104	47.3	732	223.1	13.5	6 - 8	152.4 - 203.2	-	-	-	-	1,950	886.4	2,110	959.1
ULM2S SERIES																		
ULM2S003	500	0.25	1 x 1	17	7.7	33	10.1	7.1	3 - 5.4	76.2 - 137.2	21	533.4	3.4	86.4	110	50	127	57.7
ULM2S005	1,000	0.50	1 x 1	35	15.9	33	10.1	7.1	3 - 5.4	76.2 - 137.2	21	533.4	3.4	86.4	127	57.7	144	65.5
ULM2S010	2,000	1	1 x 1	70	31.8	33	10.1	7.1	3 - 5.4	76.2 - 137.2	21	533.4	3.4	86.4	127	57.7	144	65.5
ULM2S015	3,000	1.50	2 x 2	57	25.9	66	20.1	7.1	3.3 - 6	83.8 - 152.4	30	762	4	101.6	245	111.4	267	121.4
ULM2S020	4,000	2	2 x 2	76	34.5	66	20.1	7.1	3.3 - 6	83.8 - 152.4	30	762	4	101.6	251	114.1	270	122.7
ULM2S030	6,000	3	2 x 2	42	19.1	170	51.8	7.1	4 - 6	101.6 - 152.4	42	1066.8	5.9	149.9	345	156.8	375	170.5
ULM2S040	8,000	4	2 x 2	58	26.4	170	51.8	7.1	4 - 6	101.6 - 152.4	48	1219.2	5.9	149.9	350	159.1	380	172.7
ULM2S050	10,000	5	2 x 2	73	33.2	170	51.8	7.1	4.6 - 8	116.8 - 203.2	48	1219.2	7.9	200.7	466	211.8	496	225.5
ULM2S060	12,000	6	2 x 2	90	40.9	170	51.8	7.1	4.6 - 8	116.8 - 203.2	48	1219.2	7.9	200.7	466	211.8	496	225.5

Note: Standard lift is 8 ft. Maximum flange thickness for ULM2S003 - 030 is 0.5", ULM2S040 - 060 is 0.625"

ULM2/S Ultra-Lo Series manual chain hoist

0.25 to 25 U.S. ton lifting capacities

ULM2 and ULM2S Beam Flange Chart (in)

Plain and geared trolleys for straight and curved track						
	Capacity U.S. tons	Fits flange width for straight track	Max flange width for min. curve radius	Flange thickness for radius min. max.		
ULM2 SERIES						
ULM2-015, ULM2-020	1.50, 2	3.375 - 8	-	-	-	-
ULM2-030, ULM2-040	3, 4	4 - 8	-	-	-	-
ULM2-050, ULM2-060, ULM2-080	5, 6, 8	4.625 - 8	-	-	-	-
ULM2-100, ULM2-120	10, 12	5 - 8	-	-	-	-
ULM2-160, ULM2-200	16, 20	5.5 - 8	-	-	-	-
ULM2-240, ULM2-250	24, 25	6 - 8	-	-	-	-
ULM2S SERIES						
ULM2S003, ULM2S005, ULM2S010	0.25, 0.50, 1	3 - 5.375	3.375	21	0.5	
ULM2S015, ULM2S020	1.50, 2	3.375 - 6	4	30	0.5	
ULM2S030, ULM2S040	3, 4	4 - 6	5.875	42	0.625	
ULM2S050, ULM2S060	5, 6	4.625 - 8	7.875	48	0.875	

Note: Contact technical sales for wider beam flange applications

ULM2 Series Dimensions (in)

Capacity U.S. tons	A (min)	B	C	D	E	E1	F	G	H	J	L	M	N1	P(2)	R	S
1.50 & 2	6.3	20.4	10.2	10.2	5.1	5.1	8.8	8.3	0.6	1.1	1.1	4.3	0.5	S6X12.5	13.1	6
3	7.4	20.4	10.2	10.2	6.5	6.6	10.6	10.6	0.6	1.3	11.3	6.4	0.5	S8X18.4	13.1	8
4	8	20.4	10.2	10.2	6.5	6.6	10.6	10.6	0.6	1.3	11.3	6.4	0.5	S8X18.4	13.1	8
5 & 6	8.8	26.3	13.1	13.1	7.4	7.4	12	12	0.9	1.3	11.3	7.2	0.6	S10X25.4	16.5	9
8	11	26.3	13.1	13.1	8.4	8.4	14	13.5	0.6	2.1	1.7	8.3	0.6	S10X25.4	16.5	10
10 & 12	11.5	26.3	13.1	13.1	8.5	9.8	15.6	14.4	0.6	2.3	1.8	9.8	0.6	S12X31.8	16.5	11.7
16	13.6	30.4	15.2	15.2	11.9	11.9	18.6	18.6	0.6	3	2	11.8	0.8	S15X42.9	18.9	13.5
20, 24 & 25	17.3	30.4	15.2	15.2	12.1	12.4	19.3	19	0.8	3.6	2	11.8	0.6	S18X54.7	18.4	13.5

Note: (1) At under beam roller

(2) Minimum standard I-beam for proper wheel running clearance.

Contact technical sales for smaller beams.

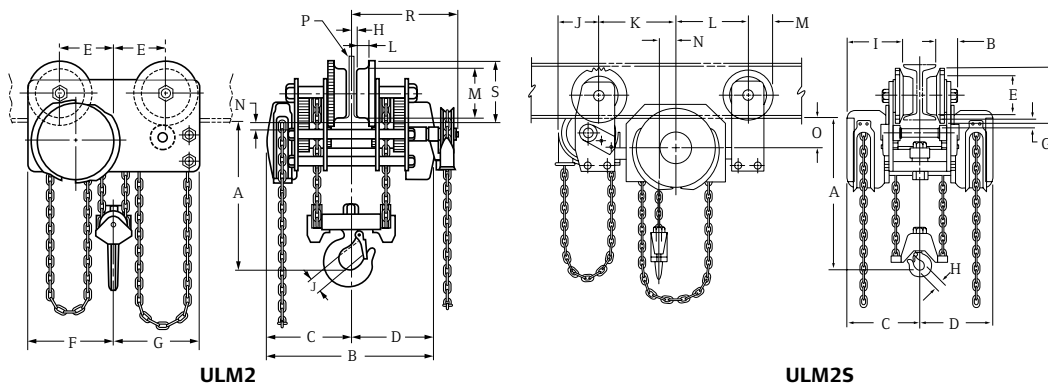
Customer must verify their beam is adequate for applied loads.

ULM2S Series Dimensions (in)

Capacity U.S. tons	A (min)	B	C	D	E	F	G1	G2	H	I	J	K2	L2	M	N	O
0.25 through 1	6.3	2	6.6	6.6	3.8	5	2.2	1.1	1	4.7	3.8	7.3	6.5	2.5	1.4	2.9
1.50 & 2	6.8	2.2	9.1	9.1	4.5	6	0.6	0.6	1.1	7.2	6.3	11.4	7.6	3	3	1.9
3	8.8	2.6	9.9	9.9	6.4	8	0.9	0.9	1.3	8.1	6.1	11.6	7.7	4	3	1.9
4	9.3	2.6	9.9	9.9	6.4	8	0.9	0.9	1.7	8.1	6.1	11.6	7.7	4	3	3.4
5 & 6	9.9	2.8	10.1	10.1	7.2	9	0.9	0.9	1.7	8.5	6.9	11.6	8.8	4.5	3	3.9

Note: (1) Plain

(2) Geared



Kinetic Series lever chain hoists

0.75 to 9 metric ton lifting capacities

Ingersoll Rand Kinetic Series premium manual chain hoists are engineered for the harshest of environments and deliver exceptional durability to meet your toughest demands. With grade 100 Electro-galvanized chain, cast hook latches, all steel construction and extensive use of bearings these hoists are designed to LAST with minimal down time.

Kinetic Series hoists; Safe, Compact, Durable.

Features

- Heavy duty cast hook latches designed for less latch replacements
- Corrosion resistant finish for additional durability
- Ergonomic handle grip to reduce fatigue
- Capacities from .75 metric ton to 9 metric ton
- Single chain fall through 3 metric tons; less chain equals less weight
- Full bearing construction on load sprocket and pinion shaft for reduced chain pull effort and longer life
- Fused brake disc for exceptional long brake life
- Premium grade 100, Electro-Galvanized chain designed for exceptional corrosion resistance for increased durability.
- Compact design for the tightest of spaces
- CE certified; hoists meet or exceed regional requirements including ASME B30.21, HST-3M



Kinetic Series Specifications

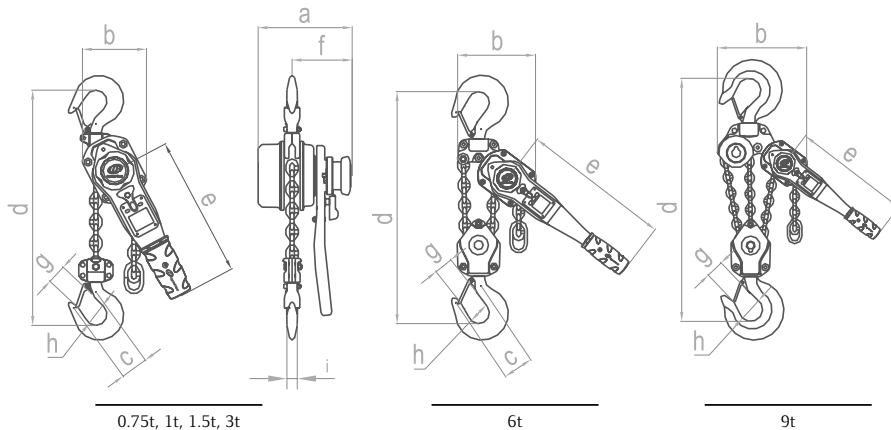
Model	Capacity		Number of Falls	Pull to Lift Rated Load		Chain Weight		Shipping Weight with 10' of Lift	
	lbs	metric tons		lb	kg	lb/ft	kg/ft	lb	kg
KL075	1,650	0.75	1	48.3	21.9	0.47	0.21	13.4	6.1
KL100	2,200	1	1	66.1	30	0.47	0.21	13.9	6.3
KL150	3,300	1.5	1	68.1	30.9	0.74	0.34	18.7	8.5
KL300	6,600	3	1	83.6	37.9	1.48	0.67	31.3	14.2
KL600	13,200	6	2	85.9	39	2.95	1.34	58.6	26.6
KL900	19,800	9	3	88.1	40	4.43	2.01	102.5	46.5

Note: Overload clutch is optional on all capacities. Shipyard hooks available with 1.5 ton and 3.0 ton capacities only.

Kinetic Series Dimensions

Model	A		B		C		D		E		F		G		H		I	
	mm	(in)	mm	(in)	mm	(in)	mm	(in)	mm	(in)	mm	(in)	mm	(in)	mm	(in)	mm	(in)
KL075	158	6.2	119	4.7	37	1.5	280	11.0	245	9.6	108	4.3	28	1.1	35.5	1.4	14.5	0.6
KL100	158	6.2	119	4.7	45	1.8	300	11.8	245	9.6	108	4.3	33	1.3	42.5	1.7	16	0.6
KL150	176	6.9	126	5.0	47	1.9	335	13.2	265	10.4	112	4.4	33.5	1.3	42.5	1.7	18.5	0.7
KL300	210	8.3	159	6.3	62.5	2.5	395	15.6	415	16.3	128	5.0	43.5	1.7	50	2.0	27	1.1
KL600	210	8.3	218	8.6	78	3.1	540	21.3	415	16.3	128	5.0	51	2.0	60	2.4	32	1.3
KL900	210	8.3	298	11.7	-	-	680	26.8	415	16.3	128	5.0	64	2.5	85	3.3	40	1.6

Dimensions are subject to change.



▶ HOW TO ORDER KL300VS-10

Example: Base Model - Lift (ft) Option
 KL300 - 10 V

Overload protection = V
 Shipyard hook = S

Note: Shipyard hooks available with 1.5 ton and 3.0 ton capacities only.

Silver Series lever chain hoists

0.75 to 6 metric ton line pull capacities

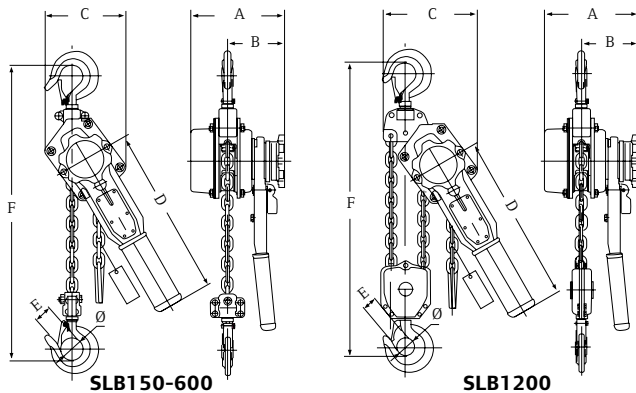
Ingersoll Rand SLB Silver Series lever hoists offer the ultimate in performance, durability, and safety for a variety of demanding applications. The high-strength, all-stamped steel construction offers decreased weight and better impact resistance. The automatic inertia brake engages if load is applied in free-chain mode, helping minimize operator setup error.

- Open-frame design for easy cleaning and inspection
- Encased and retained roller bearings for increased efficiency and ease of maintenance
- Premium-grade alloy load chain
- Hardened swivel-latch hooks
- Nickel-/ chrome-plated exterior and zinc-plated frame components for increased corrosion resistance
- Double reduction gearing for superior spotting characteristics and low handle effort
- Deep lug knobs for easy one-handed operation with or without gloves
- Short handle and stroke allows 360° operation for rigging in tight spaces



Double chain guides for proper load chain tracking and smooth operation around load sheave

CE Certified; hoists meet or exceed regional requirements including ASME B30.21, HST-3M



► HOW TO ORDER

Example: **Base Model** - **Lift** **Option**
SLB200 - **20** **B**

Bullard bottom hook = B (available up to 1.50 ton only)

Silver Series Dimensions (in)

Model	A	B	C	D	E	F (min)	Ø
SLB150	6.2	3.6	5.2	12.1	1.1	13	1.5
SLB200	6.4	3.7	5.5	12.1	1.3	14.4	1.6
SLB300	7.3	4.2	5.7	14.9	1.4	15.7	1.8
SLB300-S	7.3	4.2	5.7	14.9	1.4	16.8	1.8

Model	A	B	C	D	E	F (min)	Ø
SLB600	8.4	4.6	7.8	16.5	1.7	20.5	2.2
SLB600-S	8.4	4.6	7.8	16.5	1.7	21.5	2.3
SLB1200	8.4	4.6	9.1	16.5	2	25.2	2.6

Silver Series Specifications

Model	Capacity		# Falls	Pull to Lift Rated Load		Chain Size mm	Chain Weight per Foot		Shipping Weight with 10' of Lift	
	lb	metric tons		lb	kg		lb	kg	lb	kg
SLB150	1,650	0.75	1	41	18.6	6 x 18	0.5	0.2	16	7.3
SLB200	2,200	1	1	60	27.3	6 x 18	0.5	0.2	16	7.3
SLB300	3,300	1.50	1	53	24.1	7.1 x 21.2	0.7	0.3	26	11.8
SLB600	6,600	3	1	53	24.1	10 x 30	1.5	0.7	46	20.9
SLB1200	13,200	6	2	57	25.9	10 x 30	2.9	1.3	69	31.4

SideKick mini lever hoists

0.25 to 0.75 metric ton lifting capacities

Ingersoll Rand SideKick Series mini lever and manual hoists are engineered to fit into the smallest of spaces, to go where you go to get the job done. Don't let the size fool you; with grade 80 chain, long life disc brakes and all steel construction the SideKick hoist will be by your side year after year to make your job easier.

SideKick hoists; Powerful, Durable, Ultra-Compact

Features

- Ultra-compact to fit into the smallest of spaces
- Grade 80 zinc plated or grade 100 Electro-plated load chain exceptional corrosion resistance for increased durability
- Heavy duty carrying bag with all KX lever hoists, standard
- Double pawl, disc brake system for a highly dependable brake system
- Heat treated steel side plates for increased durability



Carrying bag is included with all KX lever hoists.

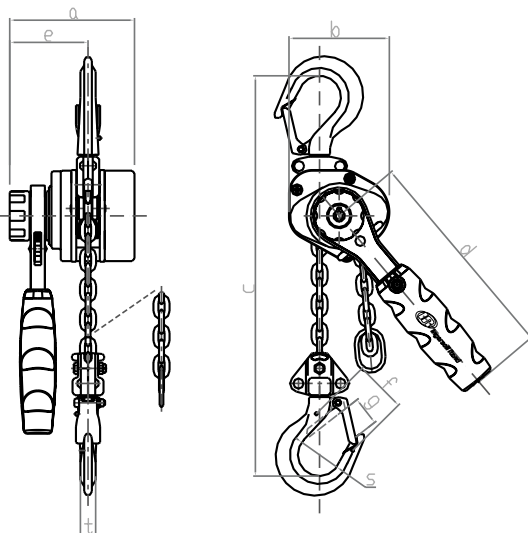


SideKick Series Specifications

Model	Capacity		Chain Length feet	Chain Size mm	Shipping Weight	
	lbs	metric tons			lb	kg
Lever Chain Hoists						
KX025-5	550	0.25	5	3.2 x 9	3.7	1.7
KX050-5	1,100	0.5	5	4.3 x 12	5.6	2.7
KX075-5	1,650	0.75	5	5 x 15	7.9	3.6
KX025-10	550	0.25	10	3.2 x 9	4.4	2
KX050-10	1,100	0.5	10	4.3 x 12	7.3	3.3
KX075-10	1,650	0.75	10	5 x 15	9.7	4.4
Manual Chain Hoist						
KM025-10-8	550	0.25	10	4 x 12	9.5	4.3

SideKick Series Dimensions

Model	A		B		C		D		E		F		G		S		T	
	mm	(in)	mm	(in)	mm	(in)	mm	(in)	mm	(in)	mm	(in)	mm	(in)	mm	(in)	mm	(in)
KX025	87	3.4	68.0	2.7	200	7.9	145	5.7	55.5	2.2	35.5	1.4	21	0.8	32	1.3	11	0.4
KX050	100.5	4.0	81.0	3.2	250	9.8	160	6.3	62.5	2.5	42	1.7	24.5	1.0	34.5	1.4	12	0.5
KX075	105	4.1	92.0	3.6	260	10.2	180	7.1	64	2.5	42	1.7	28.5	1.1	35.5	1.4	14	0.6



► **HOW TO ORDER KX025-10**
Example: **Base Model** - **Lift**
 KX025 - **5 or 10**

P Series wire rope pullers

1,000 and 2,000 lb capacities

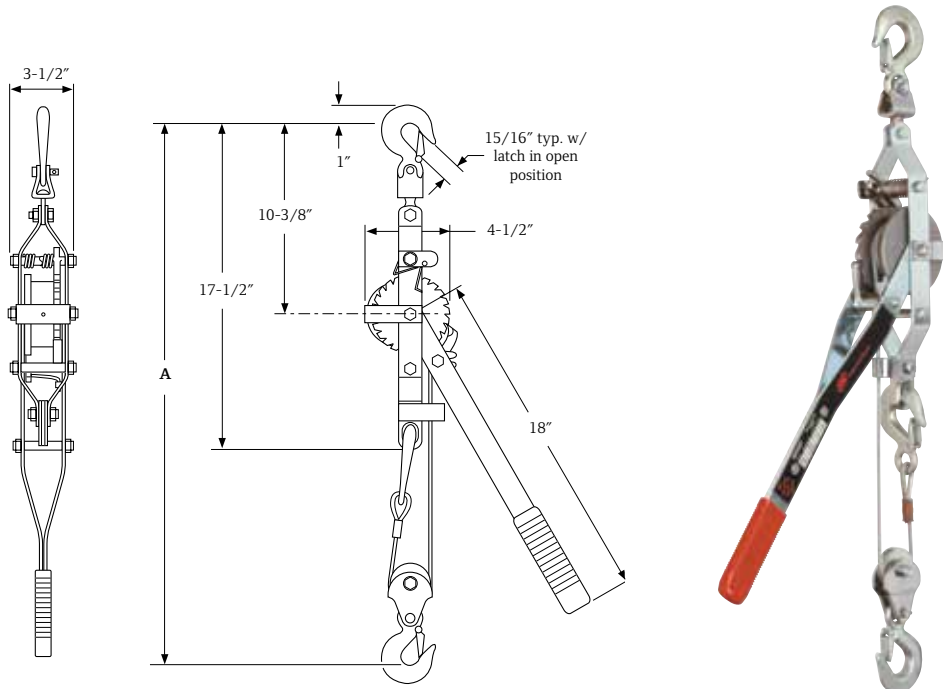
Wire puller features

- 4:1 design factor meets ASME B30.21
- Handle and frame are made of heavy-gauge steel with rivet construction and slip-resistant grip; all steel parts are plated for long life
- Solid “buttress tooth” cast gear design has no laminated plates
- Sturdy steel drive and holding pawls have long life, stainless-steel springs; all pivot points are hardened steel
- Safety latch hooks are drop-forged steel, heat-treated, and plated for corrosion resistance; top hook rotates 360° for easy operation
- Cast-aluminum drum has through-the-drum anchor, larger diameter, and drum guard so the wire rope will stay tight, bend less, and spool evenly while rewinding
- Galvanized aircraft-quality wire rope is preformed to prevent kinks
- One-year warranty

P Series Specifications

Model	Capacity lb	Number of Lines	Pull to Lift Rated Load		Cable Diameter	Min. “A” dist. Between Hooks	Lifting Distance	Number of Hooks	Shipping Weight with 10' of Lift	
			lb	kg	in	in	ft		lb	kg
P15H	1,000	1	100	45.5	3/16	19.5	15	2	8.5	3.9
P15D3H	1,000	1	100	45.5	3/16	21	15	3	10.5	4.8
P15D3H	2,000	2	105	47.7	3/16	27.5	7.5	3	10.5	4.8

Dimensions are subject to change.



C Series wire rope and strap pullers

1,700 to 4,000 lb capacities

Cable puller features

- 4:1 design factor for lifting, lowering, and pulling applications; meets ASME B30.21
- Lightweight aluminum frame
- Alloy steel load hook with safety latches
- One-piece cast aluminum drum
- Galvanized, aircraft-quality wire rope
- Ratchet and pawl system provides safe, one-notch-at-a-time lowering
- Cable guide and shield protects wire rope and spools cable evenly
- Reversible handle changes position easily, so pull is always possible against the load

Strap puller features

Part of the premium C Series, these strap pullers offer the following unique features:

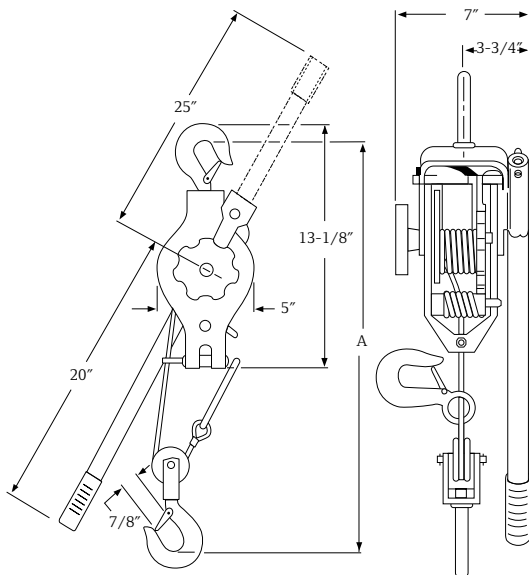
- Increased capacity with smooth, non-marring web strap
- Non-conductive, corrosion-resistant, high-strength synthetic strap will not kink or bind
- Easy payout of strap for fast setup



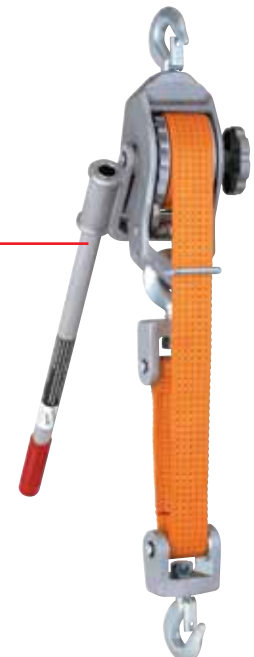
C Series Specifications

Model	Capacity lb	Number of Lines	Pull to Lift Rated Load		Cable Diameter	Min. "A" dist. between hooks	Lifting Distance	Number of Hooks	Shipping Weight with 10' of Lift	
			lb	kg	in	in	ft		lb	kg
C400H	1,700	1	57	25.9	1/4	17	20	2	16	7.3
C400H	3,400	2	62	28.2	1/4	22	10	3	16	7.3
C400S	2,000	1	65	29.5	3/32 x 1-7/8	17	12	2	16	7.3
C400S	4,000	2	70	31.8	3/32 x 1-7/8	22	6	3	16	7.3

Dimensions are subject to change.



Overload safety handle is designed to bend when an overload is detected. Once the handle begins to bend, additional force will limit the hoist from lifting beyond its capacity.



Parts and accessories

Lever and Manual chain hoist

Manual Chain Hoist Spare Parts

Model	Load Chain (by foot)	Latch Kit	Top Hook Kit	Bottom Hook Kit
SMB005	LCCF005	45519006	45518933	45519063
SMB010	LC618-G10	45519014	45518941	45519071
SMB015	LCCF015	45519022	45518958	45519105
SMB020	LCCV020	45519030	45518974	45519113
SMB030	LC1030-G10	45519048	45518982	45519121
SMB050	LCCF025	45519055	45518990	45519139
KM025	48487391	48494488	48494389*	48494827*
KM050	48487409	48494496	48494397*	48494835*
KM100	48487425	48494504	48494405*	48494843*
KM150	48487441	48494512	48494413*	48494850*
KM200	48487458	48494520	48494421*	48494868*
KM300	48487474	48494538	48494439*	48494876*
KM500	48487466	48494546	48494447*	48494884*
KM750	48487466	48494553	48494454*	48494892*
KM1000	48487466	48494561	48494462*	48494900*
KM2000	48487466	48494579	48494470*	48494918*

* = with standard hook

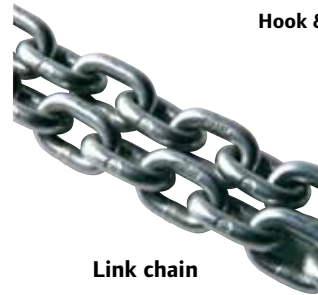
Lever Chain Hoist Spare Parts

Model	Load Chain (by foot)	Latch Kit	Top Hook Kit	Bottom Hook Kit
SLB150	LC618-G10	45471059	45471000	45471257
SLB200	LC618-G10	45471067	45471018	45471265
SLB300	LCCF015	45471075	45471026	45471281
SLB600	LC1030-G10	45471083	45471034	45471315
SLB1200	LC1030-G10	45471091	45471042	45471323
KL075	48487417	48492938	48492862*	48493183*
KL100	48487417	48492946	48492870*	48493191*
KL150	48487433	48492953	48492888*	48493209*
KL300	48487474	48492961	48492896*	48493217*
KL600	48487474	48492979	48492904*	48493225*
KL900	48487474	48492987	48492912*	48493233*

* = with standard hook



Hook & Latch



Link chain

Lubricants

These approved lubricants are suggested for either routine preventive maintenance procedures or for total hoist overhaul.

Part No.	Amount	Product Description	Where Used
Lubri-Link Green	16 oz spray bottle	Stringy lubricant for rubber seals Triple protection, USDA approved lubricant Extreme pressure formula and corrosion inhibitors, penetrating oils.	"O" rings Load chain or wherever penetrating lubricating oils are used



Lubri-Link Green

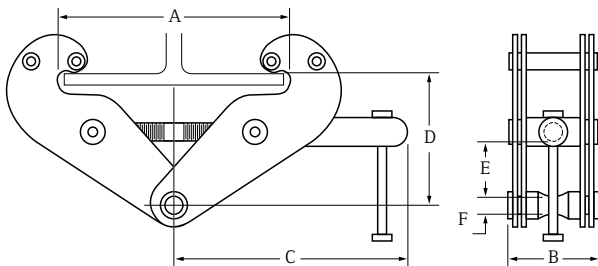
BC-Series Beam Clamps

1 to 10 metric ton capacities

- ▶ Quick installation by hand
- ▶ Low headroom design fits a wide range of flat or tapered beams
- ▶ Meets ASME B30.16 for use with powered or manual hoists
- ▶ Each unit is serialized, supplied with a test certificate and manual
- ▶ Metric rated for vertical lifting at 2,200 lb per ton



Model	Capacity		Beam Width						
	Metric Tons	Weight lb	A	B	C	D	E	F	
BC-1	1	4	2-15/16" - 9-1/16"	3-3/16"	8-3/4"	4" - 6-5/16"	1-1/8"	13/16"	
BC-2	2	5	2-15/16" - 9-1/16"	3-5/8"	8-3/4"	4" - 6-5/16"	1-1/8"	7/8"	
BC-3	3	9	3-5/32" - 12-5/8"	4-5/8"	10-3/4"	6-5/8" - 9-1/2"	2-7/16"	15/16"	
BC-4	5	11	3-9/16" - 12-5/8"	4-13/16"	10-3/4"	6-5/8" - 9-1/2"	2-3/8"	13/16"	
BC-5	10	11	3-9/16" - 14-3/8"	5-15/16"	11-1/64"	6-11/16" - 9-1/4"	1-31/32"	1-37/64"	



PT and GT Series trolley

0.50 to 20 metric ton capacities

Features

PT plain and GT hand-gear hook-on style trolley rated for manual or powered hoists having the versatility to fit most types of beams with compatibility to all hoist brands.

- The 5:1 design factor allows use with both manual or powered hoists. Meets pertinent U.S. (ASME/ANSI and CMAA), Canadian and European standards
- The side plates, including the rail sweeps/drop stops, are made of cold-formed steel for strength, durability, and even load distribution
- The wheels are cast iron and the universal tread fits either flat or tapered beams
- Wheels run on sealed, “Lube-for-Life” ball bearings. Smoother rolling with less effort and maintenance
- Additional gearing in the 20-ton trolley allows operation by one hand chain
- Painted black for coordination with hoists of all colors

Options

- FDA-approved nickel composite plated finish for corrosion resistance — available on PT005 and PT010 only
- Solid bronze alloy wheels for maximum spark resistance
- Wider hanger shaft capabilities allow standard trolleys to fit almost any S-beam or patented track beam, extension shaft kits are stocked



PT010-8



GT020-8-10



GT100-12-10

PT and GT Series Hook-on Trolley Specifications

Model	Capacity		Flange Adjustment in	Min. Beam Height in	Min. Curve Radius in	Weight lb	Wide Flange Kit no. (order separate)	Flange Adjustment in	Weight lb
	lb	metric tons							
STANDARD SERIES									
PT005-8	1,100	0.50	2.6 - 8	4	36	19.7	PT005-WFK	8 - 13	5.5
PT010-8	2,200	1	3 - 8	5	36	30.7	PT010-WFK	8 - 13	9.5
PT020-8	4,400	2	3.3 - 8	6	48	60.5	PT020-WFK	8 - 13	10
PT030-8	6,600	3	3.9 - 8	7	42	73.2	PT030-WFK	8 - 13	16.3
PT050-8	11,000	5	4.6 - 8	8	60	110.3	PT050-WFK	8 - 13	24.8
PT100-12	22,000	10	7 - 13	10	83	205	NA	NA	NA
GT010-8-10	2,200	1	3 - 8	5	36	43.7	PT010-WFK	8 - 13	9.5
GT020-8-10	4,400	2	3.3 - 8	6	48	73.5	PT020-WFK	8 - 13	10
GT030-8-10	6,600	3	3.9 - 8	7	42	86.2	PT030-WFK	8 - 13	16.3
GT-050-8-10	11,000	5	4.6 - 8	8	60	123.3	PT050-WFK	8 - 13	24.8
GT100-12-10	22,000	10	7 - 13	10	83	227	NA	NA	NA
GT200-12	44,000	20	7 - 13	12	138	540	NA	NA	NA

► HOW TO ORDER

Example: **GT010-8-SB**

GT	010	-8	-SB
Series	Capacity	Hand chain drop	Options
GT = Hand-gear hook-on PT = Push hook-on	GT Series 010 = 1 metric ton 020 = 2 metric tons 030 = 3 metric tons 050 = 5 metric tons 100 = 10 metric tons 200 = 20 metric tons	PT Series 005 = 0.5 metric tons 010 = 1 metric ton 020 = 2 metric tons 030 = 3 metric tons 050 = 5 metric tons 100 = 10 metric tons	GT Series only Feet NC = Nickel-plated trolley (available on PT Series 0.5 and 1 ton models only) SB = Bronze wheels

PT and GT Series trolley

0.50 to 20 metric ton capacities

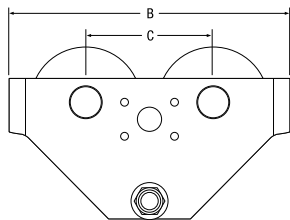
PT and GT Series Hook-on Trolley Dimensions (in)

Model	A	A(-8)	B	C	D	E	F	G	H	J	K	L	M	N	P	P(-8)	R	S	T
STANDARD SERIES																			
PT005-8	2.6	5.9	10	4.5	1	4	1.1	3.5	2.1	0.8	.1	6.6	-	3.9	-	12.3	1.3	1.6	-
PT010-8	2.5	5.9	13	5.2	1.3	4.4	1.6	4.2	2.8	0.8	1	6.9	-	4.3	-	12.9	1.5	1.6	-
PT020-8	2.6	6.1	14.6	6.8	1.3	5.3	1.3	5.8	4.3	1.1	1.2	7.5	-	4.3	-	13.8	1.5	1.6	-
PT030-8	2.6	7.9	14	6.4	1.6	5.5	1.6	5.8	4.5	1.1	1.4	8.6	-	5.4	-	14.1	1.9	2.6	-
PT050-8	2.8	8.1	15.5	7.1	1.6	5.8	2.2	6.2	4.5	1.6	1.4	9.8	-	6.6	-	15.6	2.5	2.6	-
PT100-12	11.8	-	17.9	19.3	20.8	5	7.9	2	7.4	5.9	4.2	1.8	3.2	17.1	3.7	-	1	-	-
GT010-8-10	2.5	5.9	13	5.2	1.3	4.4	1.6	4.2	2.8	0.8	1	6.9	-	4.3	-	12.9	1.5	1.6	7.8
GT020-8-10	2.6	6.1	14.9	6.8	1.3	5.3	1.3	5.8	4.3	1.1	1.2	7.5	-	4.3	-	13.8	1.5	1.6	7.8
GT030-8-10	2.6	7.9	14	6.4	1.6	5.5	1.6	5.8	4.5	1.1	1.4	8.6	-	5.4	-	14.1	1.9	2.6	8.1
GT050-8-10	2.8	8.1	15.5	7.1	1.6	5.8	2.2	6.2	4.5	1.6	1.4	9.8	-	6.6	-	15.6	2.5	2.6	8.5
GT100-12-10	11.8	-	17.9	19.3	20.8	5	7.9	2	7.4	5.9	4.2	1.8	3.2	17.1	3.7	-	1	-	-
GT200-12-10	10.5	-	25.3	24.5	22.5	6.7	11.8	2.6	10.8	7.9	5.9	2.8	4.3	18	4.5	-	4.9	-	-

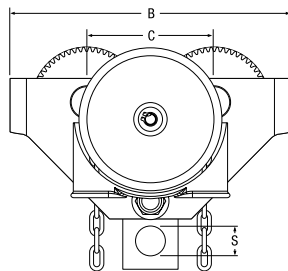
PT Trolley Adapters

Stationary

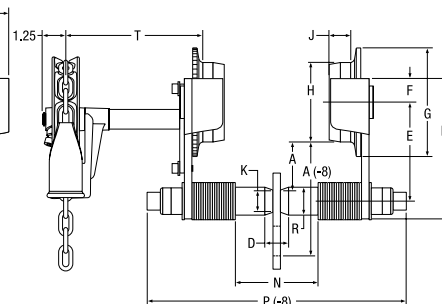
Adapter comes with any 7700 Series hoist ordered as a trolley-suspended model. Adapter can be ordered separately to convert existing hook-suspended 7700 Series hoists for stationary mounting to a PT Series trolley. Order 47717 (shown) for 0.25- and 0.50-ton models; 47716 for 1-ton models. Spacer kits are required. Refer to the price list for details.



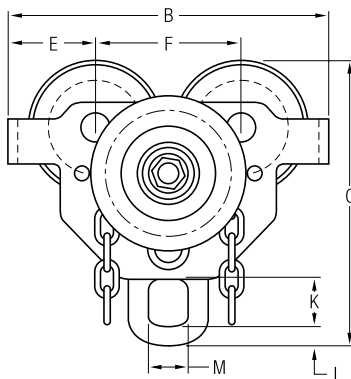
PT010 - PT050
plain trolley/without tag



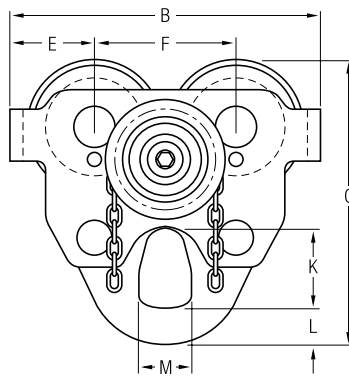
GT010 - GT050
geared trolley



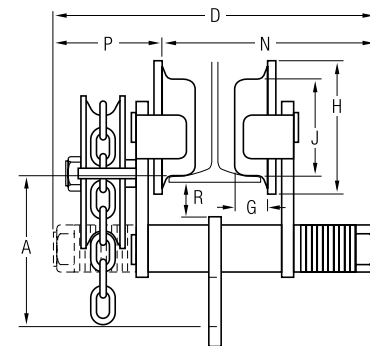
PT010 - PT050 and GT010 - GT050
plain and geared trolley



GT100
geared trolley



GT200
geared trolley



GT100 and GT200
geared trolley



Ingersoll Rand (NYSE:IR) advances the quality of life by creating and sustaining safe, comfortable and efficient environments. Our people and our family of brands—including Club Car®, Ingersoll Rand®, Schlage®, Thermo King® and Trane®—work together to enhance the quality and comfort of air in homes and buildings; transport and protect food and perishables; secure homes and commercial properties; and increase industrial productivity and efficiency. Ingersoll Rand products range from complete compressed air systems, tools and pumps to material handling systems. The diverse and innovative products, services and solutions enhance our customers' energy efficiency, productivity and operations. We are a \$14 billion global business committed to a world of sustainable progress and enduring results. For more information, visit ingersollrand.com.



www.ingersollrandproducts.com

Distributed by:

Ingersoll Rand, IR and the IR logo are trademarks of Ingersoll Rand, its subsidiaries and/or affiliates. All other trademarks are the property of their respective owners.

WARNING: This equipment is not designed for transporting people or lifting loads above people. It is the user's responsibility to determine the suitability of this product for any particular use and to check compliance with applicable regulations. Before installation, see maintenance and operations manual for additional warnings and precautions.

Nothing contained on these pages is intended to extend any warranty or representation, expressed or implied, regarding the product described herein. Any such warranties or other terms and conditions of sale of products shall be in accordance with Ingersoll Rand's standard terms and conditions of sale for such products, which are available upon request.

Product improvement is a continuing goal at Ingersoll Rand. Designs and specifications are subject to change without notice or obligation.