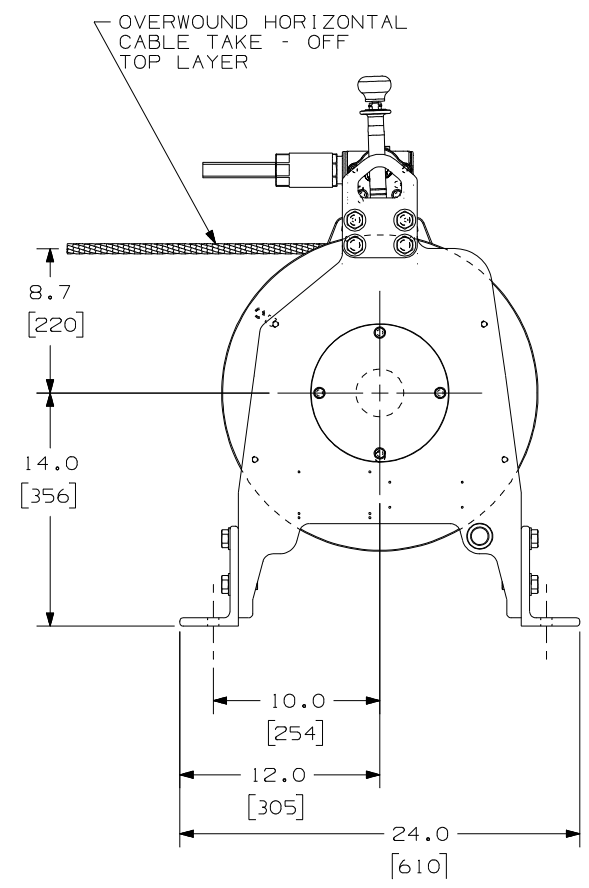
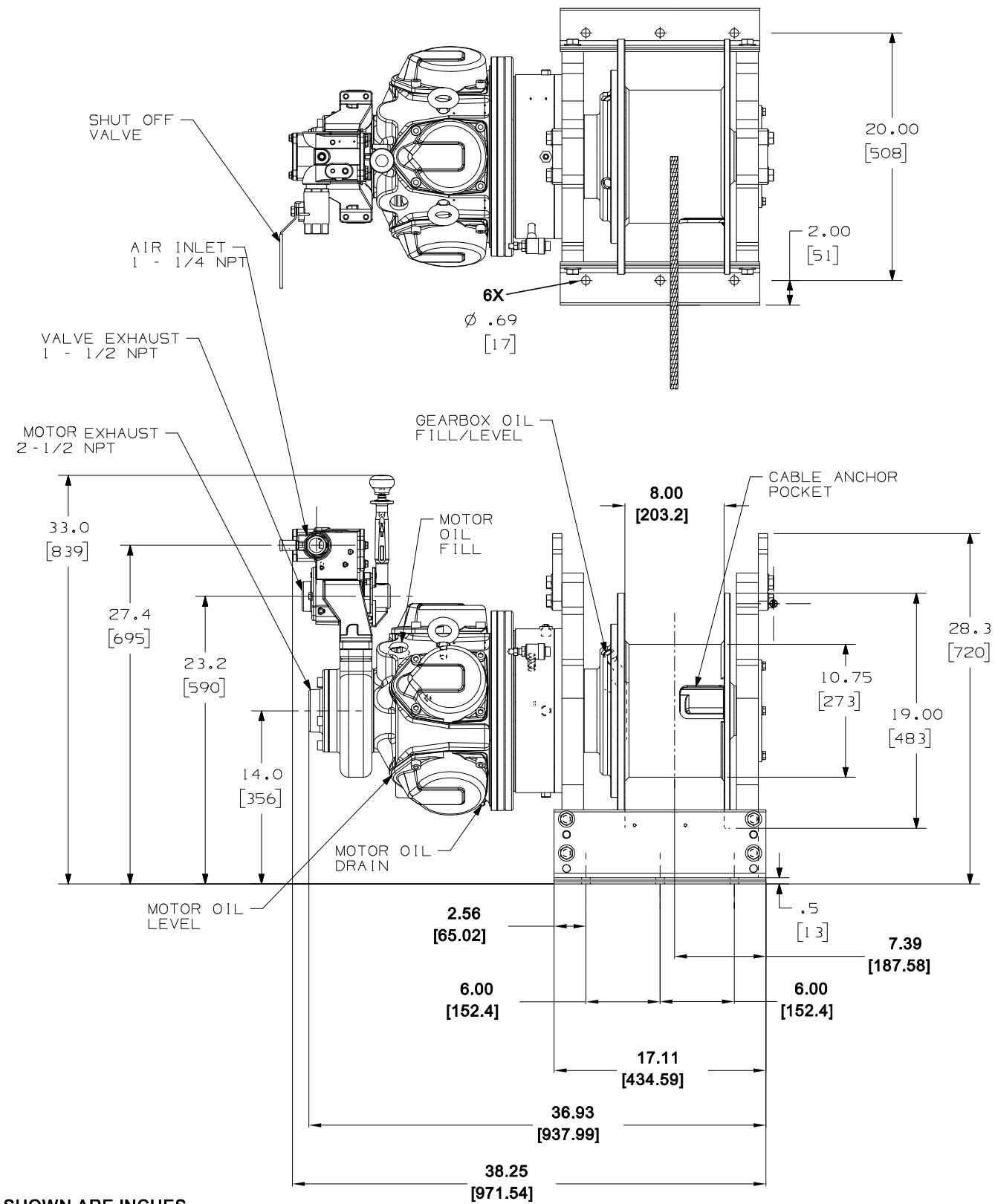


REVISIONS				
ZONE	LTR	DESCRIPTION	DATE	APPROVED
		INITIAL RELEASE PER SE010711		



DWG NO. 382-37310
 SH 1

DIMENSIONS SHOWN ARE INCHES
 DIMENSIONS IN BRACKETS [] ARE mm.

PERFORMANCE SPECIFICATIONS:
 RATED LINE PULL - 5,000 lbs (2273kg) @ TOP LAYER
 RATED LINE SPEED - 132 fpm (40 m/min) @ TOP LAYER
 INLET PRESSURE - 90 psi (6.3 bar) RUNNING
 AVERAGE AIR CONSUMPTION - 700 scfm (19.9 m3/min.)

ITEM	QTY	SIZE	PART NO	DESCRIPTION
<small> UNLESS OTHERWISE SPECIFIED TOLERANCES ON DIMENSIONS ARE ARE DECIMALS: 2 PLACES-(.XX)" ± .02 3 PLACES-(.XXX)" ± .005 ANGLES: ± 0.5° BREAK EDGES .010 SURF 128 ✓ </small>				
<small> THE DOCUMENT CONTAINS CONFIDENTIAL AND TRADE SECRET INFORMATION IN THE PROPERTY OF INGERSOLL-RAND COMPANY, AND IS LOANED TO THE RECIPIENT IN CONFIDENCE. THE RECIPIENT BY ACCEPTANCE AND RETENTION OF THIS DOCUMENT ACCEPTS THE DOCUMENT IN CONFIDENCE AND AGREES THAT, EXCEPT AS AUTHORIZED IN WRITING BY INGERSOLL-RAND COMPANY, IT WILL NOT USE THE DOCUMENT OR ANY COPY THEREOF OR THE CONFIDENTIAL OR TRADE SECRET INFORMATION THEREIN (S) NOT COPY THE DOCUMENT, (S) NOT DISCLOSE TO OTHERS EITHER THE DOCUMENT OR THE CONFIDENTIAL OR TRADE SECRET INFORMATION THEREIN, AND (S) UPON COMPLETION OF THE NEED TO RETURN THE DOCUMENT, OR UPON DEMAND, RETURN THE DOCUMENT, ALL COPIES THEREOF, AND ALL MATERIAL COPIED THEREFROM. </small>				
<small> WARNING: The export or reexport of this drawing or a product produced by this drawing is subject to U. S. Export Administration Regulations and other applicable governmental restrictions or regulations. </small>				
Copyright © 2013 Ingersoll-Rand Company				All Rights Reserved
			Ingersoll-Rand Company Tool & Hoist Division Seattle, WA, U.S.A.	
WINCH, AIR OUTLINE/DIMENSIONAL FA2.5I-8XK1				
DRAWN: SDG DATE: 2/20/13 CHECKED:		TITLE: WINCH, AIR OUTLINE/DIMENSIONAL FA2.5I-8XK1		REV: -
APPROVED:		SIZE: C	PART NO.: 382-37310	REV: -
ENG APPV: SRB DATE: 2/28/13		SCALE: -	DWG NO.: 382-37310	SHEET 1 OF 1