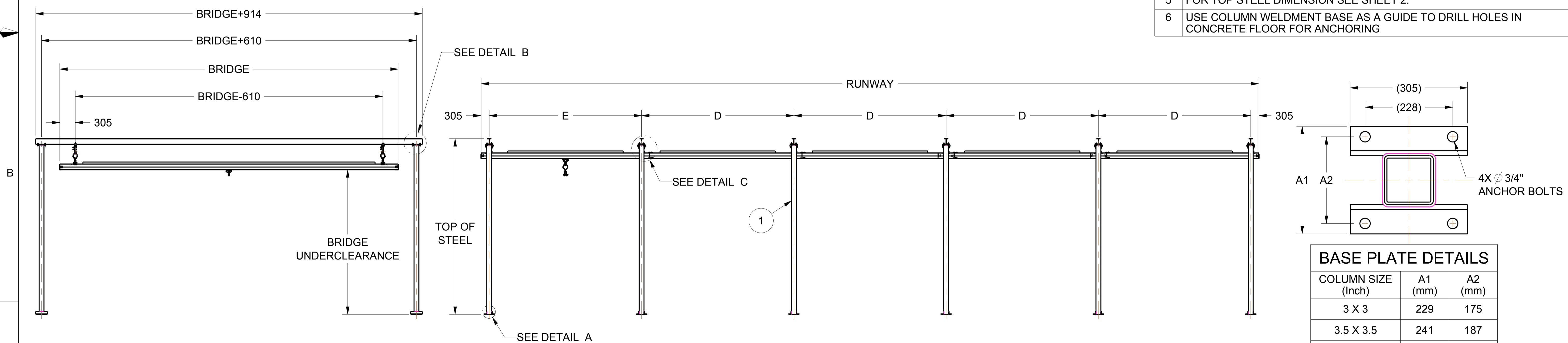
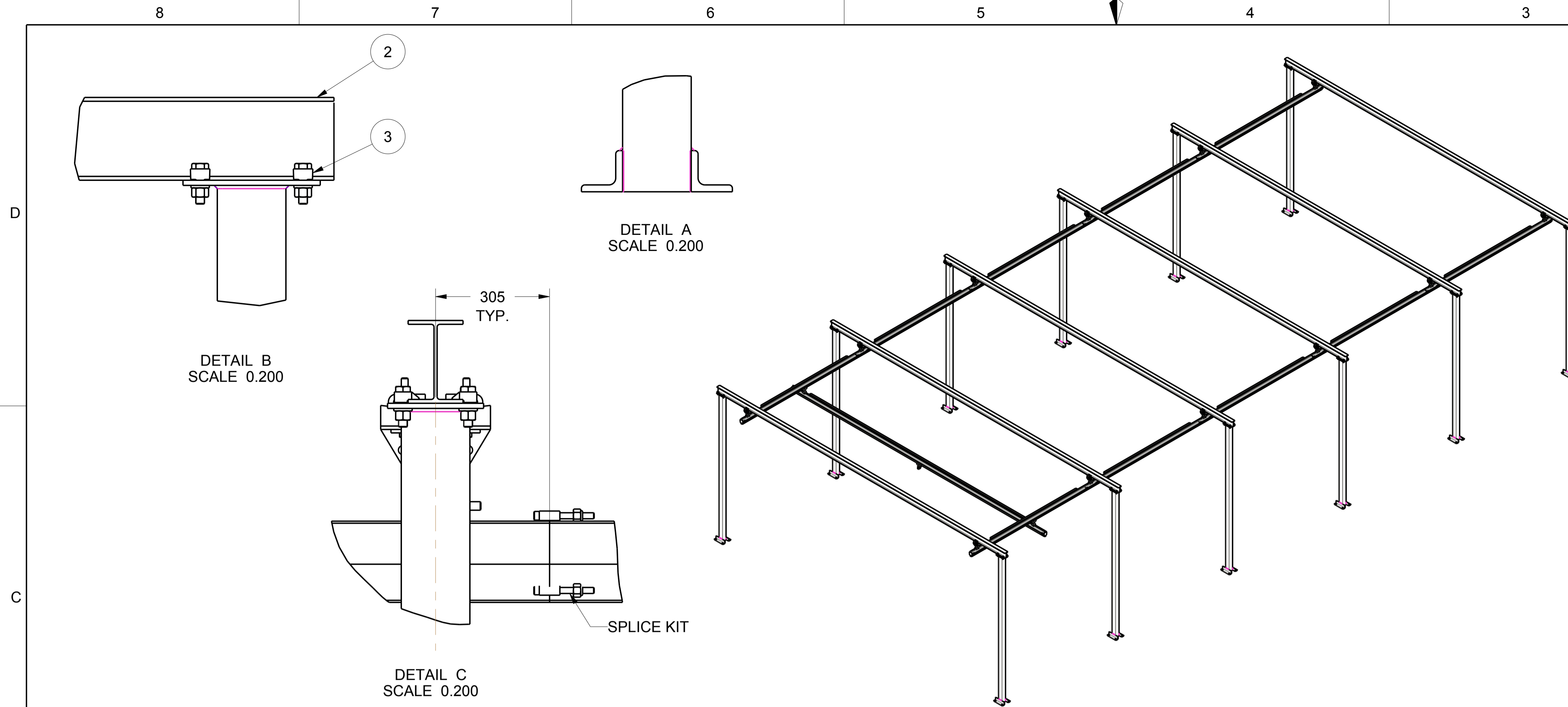


| REVISIONS | | | | | |
|-----------|-----|-----|------------------|----------|---------|
| ZONE | REV | ECN | DESCRIPTION | DATE | APPD |
| | A | | ORIGINAL RELEASE | 02-13-13 | M.GUPTA |

| BILL OF MATERIAL | | | | | |
|------------------|------|-----|--|--|--|
| PART | ITEM | AMT | DESCRIPTION | | |
| - | 1 | 12 | COLUMN WELDMENT | | |
| - | 2 | 6 | HEADER BEAM | | |
| * | 3 | 12 | COLUMN TO BEAM CONNECTOR KIT | | |
| 24308157 | 4 | 1 | PRODUCT INFORMATION MANUAL- FREE STANDING WORKSTATION CRANES | | |
| 71341101 | 5 | 1 | PRODUCT INFORMATION MANUAL - Z RAIL ALUMINUM AND STEEL OVERHEAD RAIL SYSTEM | | |
| 16600470 | 6 | 1 | MAINTENANCE INFORMATION MANUAL - Z RAIL ALUMINUM AND STEEL OVERHEAD RAIL SYSTEM | | |
| 16600462 | 7 | 1 | PARTS INFORMATION MANUAL - Z RAIL ALUMINUM AND STEEL OVERHEAD RAIL SYSTEM | | |
| 16600454 | 8 | 1 | SAFETY INFORMATION MANUAL - Z RAIL ALUMINUM AND STEEL OVERHEAD RAIL SYSTEM PRODUCT | | |

* DETAIL IS GIVEN IN SHEET 2.

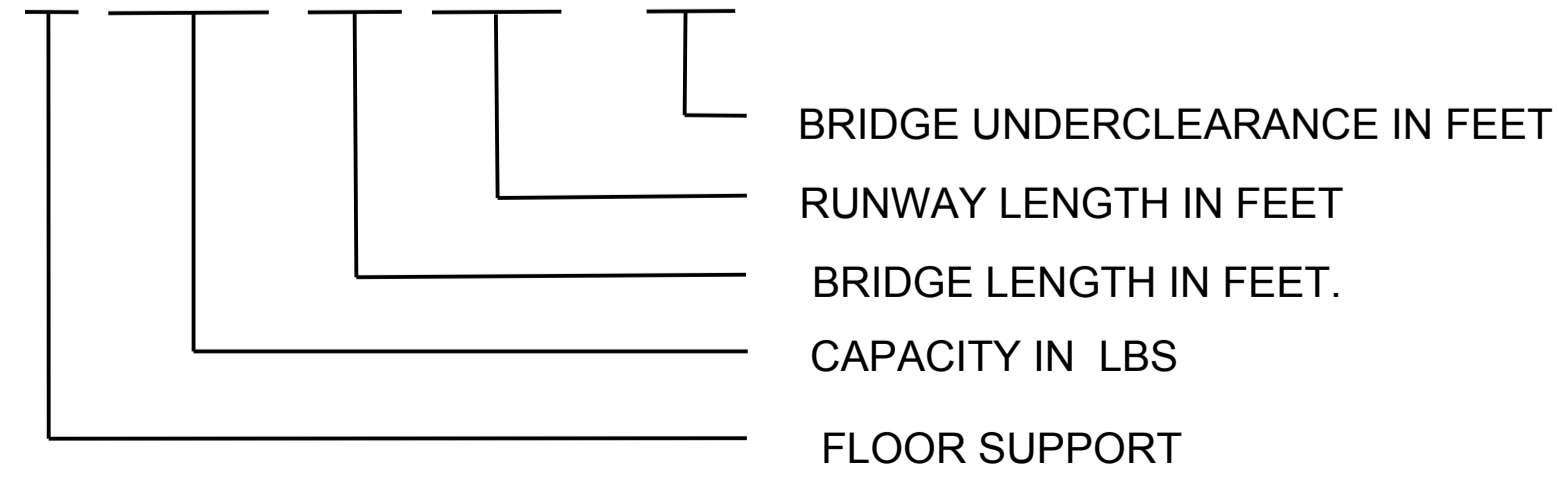
| NOTES | |
|-------|--|
| 1 | ALL DIMENSIONS ARE IN mm DRAWING TOLERANCE : UNLESS OTHERWISE SPECIFIED ±1.5mm |
| 2 | ACTUAL BEAM UNDERCLEARANCE MAY VARY DEPENDING ON RAIL TYPE, HANGERS AND ENDTRUCKS. |
| 3 | INGERSOLL RAND ASSUMES NO RESPONSIBILITY FOR THE CONDITIONS OF THE MOUNTING SURFACE. CONSULT A REGISTERED STRUCTURAL ENGINEER BEFORE INSTALLING THE RAIL SYSTEM. |
| 4 | ELEVATION DIMENSIONS ARE NOMINAL TAKEN FROM THE BOTTOM OF COLUMN BASEPLATE AND DO NOT ACCOUNT FOR GROUT SHIMS OR ANY OTHER TYPE OF LEVELLING METHOD. |
| 5 | FOR TOP STEEL DIMENSION SEE SHEET 2. |
| 6 | USE COLUMN WELDMENT BASE AS A GUIDE TO DRILL HOLES IN CONCRETE FLOOR FOR ANCHORING |



BASE PLATE DETAILS

| COLUMN SIZE (Inch) | A1 (mm) | A2 (mm) |
|--------------------|---------|---------|
| 3 X 3 | 229 | 175 |
| 3.5 X 3.5 | 241 | 187 |
| 4 X 4 | 254 | 200 |
| 5 X 5 | 279 | 225 |

**FREE STANDING WORKSTATION CRANES
MODEL DRIVER
E 0000 00 000 - 00**



WARNING: THE EXPORT OR REEXPORT OF THIS DRAWING OR A PRODUCT PRODUCED BY THIS DRAWING IS SUBJECT TO U.S. EXPORT ADMINISTRATION REGULATIONS AND OTHER APPLICABLE GOVERNMENT RESTRICTIONS OR REGULATIONS.

PROPRIETARY NOTICE

THIS DRAWING CONTAINS CONFIDENTIAL AND TRADE SECRET INFORMATION, IS THE PROPERTY OF INGERSOLL-RAND CO., AND IS GIVEN TO THE RECEIVER IN CONFIDENCE. THE RECEIVER BY RECEIPT AND RETENTION OF THE DRAWING ACCEPTS THE DRAWING IN CONFIDENCE AND AGREES THAT, EXCEPT AS AUTHORIZED IN WRITING BY INGERSOLL-RAND CO. IT WILL (1) NOT USE THE DRAWING OR ANY COPY THEREOF OR THE CONFIDENTIAL OR TRADE SECRET INFORMATION THEREIN; (2) NOT COPY THE DRAWING; (3) NOT DISCLOSE TO OTHERS EITHER THE DRAWING OR THE CONFIDENTIAL OR TRADE SECRET INFORMATION THEREIN; AND (4) UPON COMPLETION OF THE NEED TO RETAIN THE DRAWING, OR UPON DEMAND, RETURN THE DRAWING, ALL COPIES THEREOF, AND ALL MATERIAL COPIED THEREFROM.

DO NOT SCALE DRAWING
DRAWING CONFORMS TO ASME Y14.5M - 1994

CAD GENERATED DRAWING,
NO MANUAL REVISIONS ALLOWED

UNLESS OTHERWISE SPECIFIED:
- REMOVE ALL BURRS AND SHARP CORNERS
- WELD SYMBOLS TO BE IN ACCORDANCE WITH ANSI/AWS A2.4

COPYRIGHT © 2013
Ingersoll Rand
ALL RIGHTS RESERVED

| THIRD ANGLE PROJECTION | |
|------------------------|----------|
| DRAWN | DATE |
| M.GUPTA | 02-13-13 |
| CHECKED | DATE |
| KDG | 02-13-13 |
| APPROVED | DATE |
| AKB | 02-13-13 |
| DRAWING TYPE | |
| Detail Drawing | |
| NOMENCLATURE | |

**CUSTOMER COPY
SEND THIS PRINT WITH FREE STANDING WORKSTATION CRANES TO CUSTOMER**

FREE STANDING WORKSTATION CRANE 12 COLUMN

| | | | |
|--------|--|----------|--------|
| SIZE | ESTIMATED WEIGHT (KG UNLESS OTHERWISE SPECIFIED) | DWG NO. | REV |
| A1 | | 24308058 | A |
| SCALE: | 0.02 | UNIT: | MM |
| | | SHEET | 1 OF 2 |

CAPACITY - 275 lbs

| S No. | Kit No. | TOP OF STEEL mm(Feet) | COLUMN SECTION (Inch) | D mm (Feet) | E mm (Feet) | Column to beam connector kit |
|-------|---------------|--------------------------|--------------------------|----------------|----------------|---------------------------------|
| 1 | E027505100-10 | 3954(12.97) | 3 X 3 | 6096 (20) | 5486 (18) | 24303950 |
| 2 | E027505100-12 | 4563(14.97) | 3 X 3 | 6096 (20) | 5486 (18) | 24303950 |
| 3 | E027505100-14 | 5173(16.97) | 3.5 X 3.5 | 6096 (20) | 5486 (18) | 24303950 |
| 4 | E027508125-10 | 3954(12.97) | 3 X 3 | 7620 (25) | 7010 (23) | 24303950 |
| 5 | E027508125-12 | 4563(14.97) | 3 X 3 | 7620 (25) | 7010 (23) | 24303950 |
| 6 | E027508125-14 | 5173(16.97) | 3.5 X 3.5 | 7620 (25) | 7010 (23) | 24303950 |
| 7 | E027510125-10 | 3954(12.97) | 3 X 3 | 7620 (25) | 7010 (23) | 24303950 |
| 8 | E027510125-12 | 4563(14.97) | 3 X 3 | 7620 (25) | 7010 (23) | 24303950 |
| 9 | E027510125-14 | 5173(16.97) | 3.5 X 3.5 | 7620 (25) | 7010 (23) | 24303950 |
| 10 | E027515125-10 | 3954(12.97) | 3 X 3 | 7620 (25) | 7010 (23) | 24303950 |
| 11 | E027515125-12 | 4563(14.97) | 3 X 3 | 7620 (25) | 7010 (23) | 24303950 |
| 12 | E027515125-14 | 5173(16.97) | 3.5 X 3.5 | 7620 (25) | 7010 (23) | 24303950 |
| 13 | E027521125-10 | 3954(12.97) | 3 X 3 | 7620 (25) | 7010 (23) | 24303950 |
| 14 | E027521125-12 | 4563(14.97) | 3 X 3 | 7620 (25) | 7010 (23) | 24303950 |
| 15 | E027521125-14 | 5173(16.97) | 3.5 X 3.5 | 7620 (25) | 7010 (23) | 24303950 |
| 16 | E027530125-10 | 3954(12.97) | 3 X 3 | 7620 (25) | 7010 (23) | 24303950 |
| 17 | E027530125-12 | 4563(14.97) | 3 X 3 | 7620 (25) | 7010 (23) | 24303950 |
| 18 | E027530125-14 | 5173(16.97) | 3.5 X 3.5 | 7620 (25) | 7010 (23) | 24303950 |

CAPACITY - 550 lbs


| S No. | Kit No. | TOP OF STEEL mm(Feet) | COLUMN SECTION (Inch) | D mm (Feet) | E mm (Feet) | Column to beam connector kit |
|-------|---------------|--------------------------|--------------------------|----------------|----------------|---------------------------------|
| 1 | E055005080-10 | 3954(12.97) | 3 X 3 | 4877 (16) | 4266 (14) | 24303950 |
| 2 | E055005080-12 | 4563(14.97) | 3 X 3 | 4877 (16) | 4266 (14) | 24303950 |
| 3 | E055005080-14 | 5173(16.97) | 3.5 X 3.5 | 4877 (16) | 4266 (14) | 24303950 |
| 4 | E055005090-10 | 3954(12.97) | 3 X 3 | 5486 (18) | 4878 (16) | 24303950 |
| 5 | E055005090-12 | 4563(14.97) | 3 X 3 | 5486 (18) | 4878 (16) | 24303950 |
| 6 | E055005090-14 | 5173(16.97) | 3.5 X 3.5 | 5486 (18) | 4878 (16) | 24303950 |
| 7 | E055008090-10 | 3954(12.97) | 3 X 3 | 5486 (18) | 4878 (16) | 24303950 |
| 8 | E055008090-12 | 4563(14.97) | 3 X 3 | 5486 (18) | 4878 (16) | 24303950 |
| 9 | E055008090-14 | 5173(16.97) | 3.5 X 3.5 | 5486 (18) | 4878 (16) | 24303950 |
| 10 | E055008100-10 | 3954(12.97) | 3 X 3 | 6096 (20) | 5486 (18) | 24303950 |
| 11 | E055008100-12 | 4563(14.97) | 3 X 3 | 6096 (20) | 5486 (18) | 24303950 |
| 12 | E055008100-14 | 5173(16.97) | 3.5 X 3.5 | 6096 (20) | 5486 (18) | 24303950 |
| 13 | E055010125-10 | 3954(12.97) | 3 X 3 | 7620 (25) | 7010 (23) | 24303950 |
| 14 | E055010125-12 | 4563(14.97) | 3 X 3 | 7620 (25) | 7010 (23) | 24303950 |
| 15 | E055010125-14 | 5173(16.97) | 3.5 X 3.5 | 7620 (25) | 7010 (23) | 24303950 |
| 16 | E055015125-10 | 3954(12.97) | 3 X 3 | 7620 (25) | 7010 (23) | 24303950 |
| 17 | E055015125-12 | 4563(14.97) | 3 X 3 | 7620 (25) | 7010 (23) | 24303950 |
| 18 | E055015125-14 | 5173(16.97) | 3.5 X 3.5 | 7620 (25) | 7010 (23) | 24303950 |
| 19 | E055021125-10 | 3954(12.97) | 3 X 3 | 7620 (25) | 7010 (23) | 24303951 |
| 20 | E055021125-12 | 4563(14.97) | 3 X 3 | 7620 (25) | 7010 (23) | 24303952 |
| 21 | E055021125-14 | 5173(16.97) | 3.5 X 3.5 | 7620 (25) | 7010 (23) | 24303953 |
| 22 | E055030125-10 | 3954(12.97) | 3 X 3 | 7620 (25) | 7010 (23) | 47499650001 |
| 23 | E055030125-12 | 4563(14.97) | 3 X 3 | 7620 (25) | 7010 (23) | 47499650001 |
| 24 | E055030125-14 | 5173(16.97) | 3.5 X 3.5 | 7620 (25) | 7010 (23) | 47499650001 |

CAPACITY - 1100 lbs

| S No. | Kit No. | TOP OF STEEL mm(Feet) | COLUMN SECTION (Inch) | D mm (Feet) | E mm (Feet) | Column to beam connector kit |
|-------|---------------|--------------------------|--------------------------|----------------|----------------|---------------------------------|
| 1 | E110005070-10 | 3954(12.97) | 4 x 4 | 4267 (14) | 3658 (12) | 24303950 |
| 2 | E110005070-12 | 4563(14.97) | 4 x 4 | 4267 (14) | 3658 (12) | 24303950 |
| 3 | E110005070-14 | 5173(16.97) | 5 x 5 | 4267 (14) | 3658 (12) | 24303950 |
| 4 | E110005080-10 | 3954(12.97) | 4 x 4 | 4877 (16) | 4266 (14) | 24303950 |
| 5 | E110005080-12 | 4563(14.97) | 4 x 4 | 4877 (16) | 4266 (14) | 24303950 |
| 6 | E110005080-14 | 5173(16.97) | 5 x 5 | 4877 (16) | 4266 (14) | 24303950 |
| 7 | E110008090-10 | 3954(12.97) | 4 x 4 | 5486 (18) | 4878 (16) | 24303950 |
| 8 | E110008090-12 | 4563(14.97) | 4 x 4 | 5486 (18) | 4878 (16) | 24303950 |
| 9 | E110008090-14 | 5173(16.97) | 5 x 5 | 5486 (18) | 4878 (16) | 24303950 |
| 10 | E110008100-10 | 3954(12.97) | 4 x 4 | 6096 (20) | 5486 (18) | 24303950 |
| 11 | E110008100-12 | 4563(14.97) | 4 x 4 | 6096 (20) | 5486 (18) | 24303950 |
| 12 | E110008100-14 | 5173(16.97) | 5 x 5 | 6096 (20) | 5486 (18) | 24303950 |
| 13 | E110010090-10 | 3954(12.97) | 4 x 4 | 5486 (18) | 4878 (16) | 24303950 |
| 14 | E110010090-12 | 4563(14.97) | 4 x 4 | 5486 (18) | 4878 (16) | 24303950 |
| 15 | E110010090-14 | 5173(16.97) | 5 x 5 | 5486 (18) | 4878 (16) | 24303950 |
| 16 | E110010100-10 | 3954(12.97) | 4 x 4 | 6096 (20) | 5486 (18) | 24303950 |
| 17 | E110010100-12 | 4563(14.97) | 4 x 4 | 6096 (20) | 5486 (18) | 24303950 |
| 18 | E110010100-14 | 5173(16.97) | 5 x 5 | 6096 (20) | 5486 (18) | 24303950 |
| 19 | E110015090-10 | 3954(12.97) | 4 x 4 | 5486 (18) | 4878 (16) | 24303951 |
| 20 | E110015090-12 | 4563(14.97) | 4 x 4 | 5486 (18) | 4878 (16) | 24303952 |
| 21 | E110015090-14 | 5173(16.97) | 5 x 5 | 5486 (18) | 4878 (16) | 24303953 |
| 22 | E110015100-10 | 3954(12.97) | 4 x 4 | 6096 (20) | 5486 (18) | 24303954 |
| 23 | E110015100-12 | 4563(14.97) | 4 x 4 | 6096 (20) | 5486 (18) | 24303955 |
| 24 | E110015100-14 | 5173(16.97) | 5 x 5 | 6096 (20) | 5486 (18) | 24303956 |
| 25 | E110021090-10 | 3954(12.97) | 4 x 4 | 5486 (18) | 4878 (16) | 24303957 |
| 26 | E110021090-12 | 4563(14.97) | 4 x 4 | 5486 (18) | 4878 (16) | 24303958 |
| 27 | E110021090-14 | 5173(16.97) | 5 x 5 | 5486 (18) | 4878 (16) | 24303959 |
| 28 | E110021100-10 | 3954(12.97) | 4 x 4 | 6096 (20) | 5486 (18) | 24303960 |
| 29 | E110021100-12 | 4563(14.97) | 4 x 4 | 6096 (20) | 5486 (18) | 24303961 |
| 30 | E110021100-14 | 5173(16.97) | 5 x 5 | 6096 (20) | 5486 (18) | 24303962 |
| 31 | E110030050-10 | 3954(12.97) | 4 x 4 | 3048 (10) | 2438 (8) | 24303963 |
| 32 | E110030050-12 | 4563(14.97) | 4 x 4 | 3048 (10) | 2438 (8) | 24303964 |
| 33 | E110030050-14 | 5173(16.97) | 5 x 5 | 3048 (10) | 2438 (8) | 24303965 |

CAPACITY - 2000 lbs

| S No. | Kit No. | TOP OF STEEL mm(Feet) | COLUMN SECTION (Inch) | D mm (Feet) | E mm (Feet) | Column to beam connector kit |
|-------|---------------|--------------------------|--------------------------|----------------|----------------|---------------------------------|
| 1 | E200005050-10 | 3954(12.97) | 4 x 4 | 3048 (10) | 2438 (8) | 24303950 |
| 2 | E200005050-12 | 4563(14.97) | 5 x 5 | 3048 (10) | 2438 (8) | 24303950 |
| 3 | E200005050-14 | 5173(16.97) | 5 x 5 | 3048 (10) | 2438 (8) | 24303950 |
| 4 | E200008070-10 | 3954(12.97) | 4 x 4 | 4267 (14) | 3658 (12) | 24303950 |
| 5 | E200008070-12 | 4563(14.97) | 5 x 5 | 4267 (14) | 3658 (12) | 24303950 |
| 6 | E200008070-14 | 5173(16.97) | 5 x 5 | 4267 (14) | 3658 (12) | 24303950 |
| 7 | E200010070-10 | 3954(12.97) | 4 x 4 | 4267 (14) | 3658 (12) | 24303950 |
| 8 | E200010070-12 | 4563(14.97) | 5 x 5 | 4267 (14) | 3658 (12) | 24303950 |
| 9 | E200010070-14 | 5173(16.97) | 5 x 5 | 4267 (14) | 3658 (12) | 24303950 |
| 10 | E200015070-10 | 3954(12.97) | 4 x 4 | 4267 (14) | 3658 (12) | 24303950 |
| 11 | E200015070-12 | 4563(14.97) | 5 x 5 | 4267 (14) | 3658 (12) | 24303950 |
| 12 | E200015070-14 | 5173(16.97) | 5 x 5 | 4267 (14) | 3658 (12) | 24303950 |
| 13 | E200021050-10 | 3954(12.97) | 4 x 4 | 3048 (10) | 2438 (8) | 47499650001 |
| 14 | E200021050-12 | 4563(14.97) | 5 x 5 | 3048 (10) | 2438 (8) | 47499650001 |
| 15 | E200021050-14 | 5173(16.97) | 5 x 5 | 3048 (10) | 2438 (8) | 47499650001 |

| | | | |
|---|------------------------|--|---|
| <small>PROPRIETARY NOTICE</small> | | <small>TITLE</small> | |
| <small>THIS DRAWING CONTAINS CONFIDENTIAL AND TRADE SECRET INFORMATION. IT IS THE PROPERTY OF INGERSOLL RAND CO. AND IS LOANED TO THE RECEIVER IN CONFIDENCE. THE RECEIVER BY ACCEPTANCE AND RETENTION OF THIS DRAWING ACCEPTS THE DRAWING IN CONFIDENCE AND AGREES THAT, EXCEPT AS AUTHORIZED IN WRITING BY INGERSOLL RAND CO. IT WILL (1) NOT USE THE DRAWING OR ANY COPY THEREOF OR THE CONFIDENTIAL OR TRADE SECRET INFORMATION THEREIN; (2) NOT COPY THE DRAWING; (3) NOT DISCLOSE TO OTHERS EITHER THE DRAWING OR THE CONFIDENTIAL OR TRADE SECRET INFORMATION THEREIN; AND (4) UPON COMPLETION OF THE NEED TO RETAIN THE DRAWING, OR UPON DEMAND, RETURN THE DRAWING, ALL COPIES THEREOF, AND ALL MATERIAL COPIED THEREFROM.</small> | | FREE STANDING WORKSTATION CRANE 12 COLUMN | |
| <small>SIZE</small> | <small>DWG NO.</small> | <small>REV</small> |  |
| A1 | 24308058 | A | |
| <small>SCALE</small> | <small>SHEET</small> | <small>2 OF 2</small> | |
| 0.04 | | | |