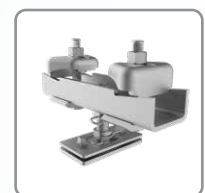
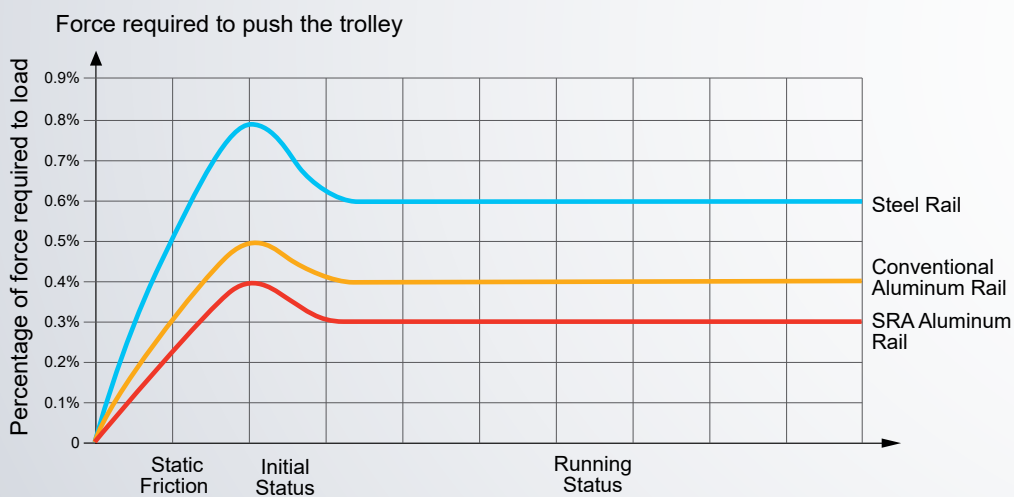


SRA Series Aluminum Rail Systems

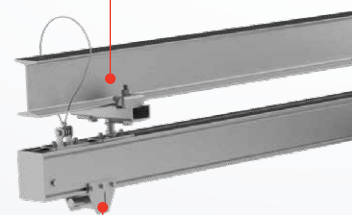
SRA Series Aluminum Rail Systems

Smooth running for more ergonomic handling

Ergonomically designed rail systems have a direct impact on productivity. Ingersoll Rand has thus redefined the term Ergonomics for SRA series rail systems with smooth running, easier to move and quicker to install. It brings more ergonomic handling experience to users, and also healthier working environment. That is why Ingersoll Rand pays particular attention to optimum rail systems running when developing components.



Mounting



End Stop Buffered

Advantages

- Ergonomics with low deadweight and high strength
- Smooth running with low rolling resistance as 0.3%
- Various rail profiles available for loads up to 2,000kg
- All hardware components are rated at a 5:1 safety factor
- Safety devices are required to use for extra safety
- Compact and easy installation for seamless track alignment



Rail Profile



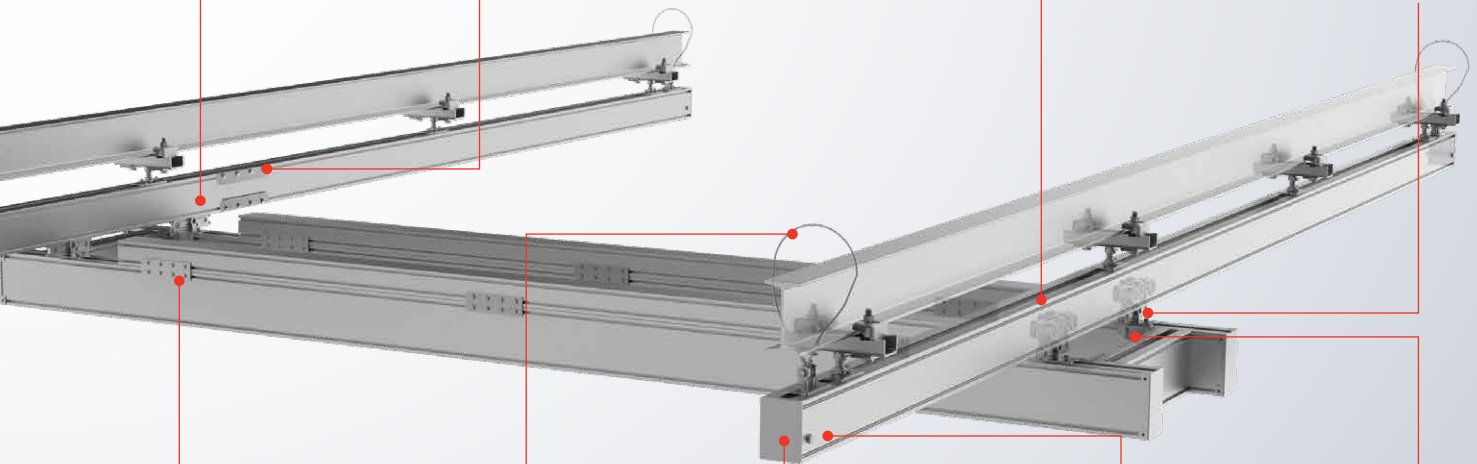
Joint Set



Trolley



Crane Girder Mounting



Reinforcement Connector



Safety Device



End Cover



End Stop Fixed

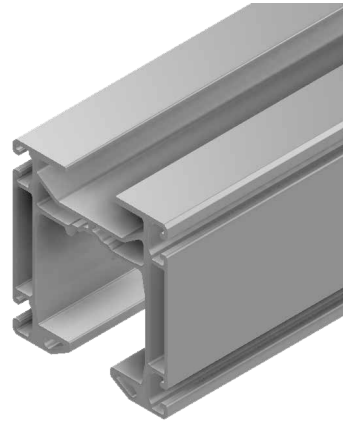
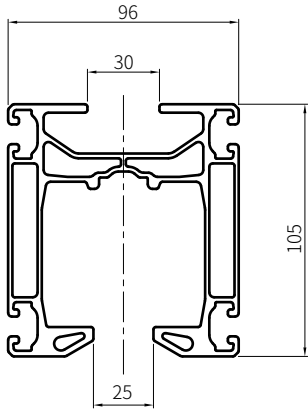


Spacer

Rail Profiles

SRA1 Aluminum Rail Profile

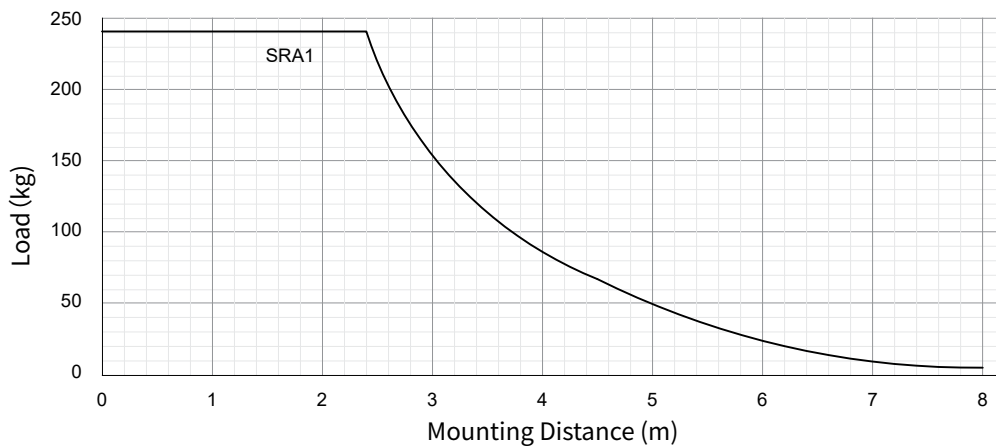
Max. **250** kg



SRA1 Specs	
Feature	Description
Material	6063-T66 Aluminum, anodized
Weight	5 kg/m
Moment of plane area (Iy/Iz)	254 cm ⁴ / 221 cm ⁴
Moment of resistance (Wy/Wz)	49 cm ³ / 46 cm ³

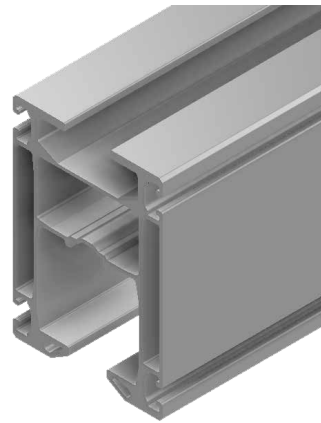
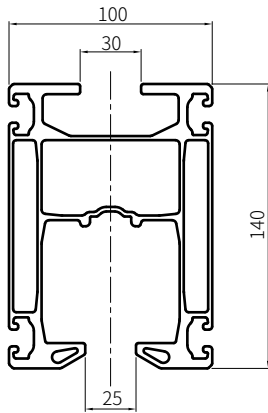
SRA1 Profile	
Model	Length
40250-1000-2	1000 mm
40250-2000-2	2000 mm
40250-3000-2	3000 mm
40250-4000-2	4000 mm
40250-5000-2	5000 mm
40250-6000-2	6000 mm
40250-7000-2	7000 mm
40250-8000-2	8000 mm

SRA1 Load Chart



SRA2 Aluminum Rail Profile

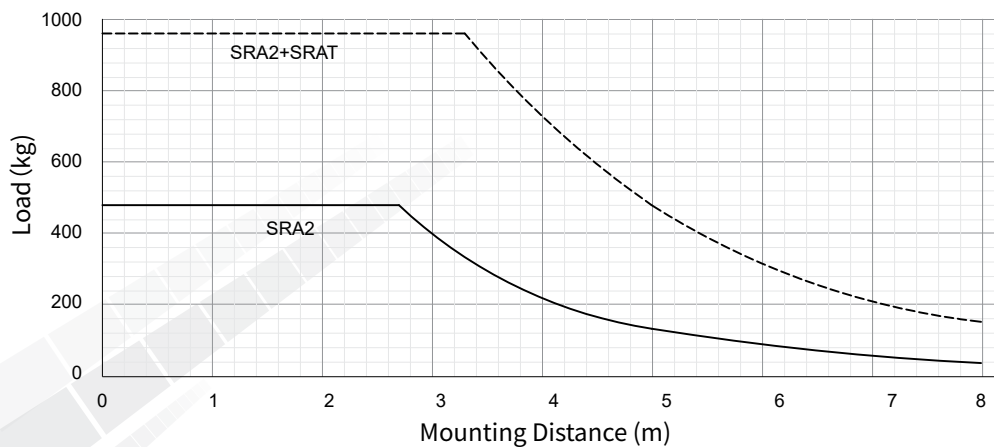
Max. **500** kg



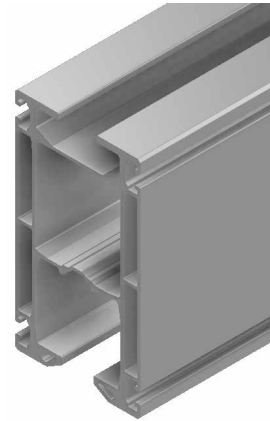
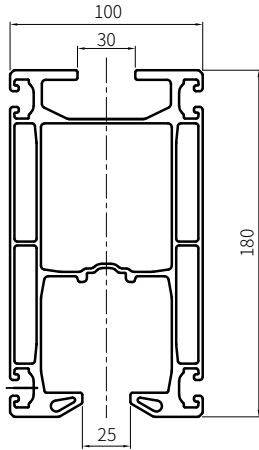
SRA2 Specs	
Feature	Description
Material	6063-T66 Aluminum, anodized
Weight	7.2 kg/m
Moment of plane area (Iy/Iz)	659cm ⁴ / 358 cm ⁴
Moment of resistance (Wy/Wz)	95cm ³ / 72 cm ³

SRA2 Profile	
Model	Length
40500-1000-2	1000 mm
40500-2000-2	2000 mm
40500-3000-2	3000 mm
40500-4000-2	4000 mm
40500-5000-2	5000 mm
40500-6000-2	6000 mm
40500-7000-2	7000 mm
40500-8000-2	8000 mm

SRA2 Load Chart



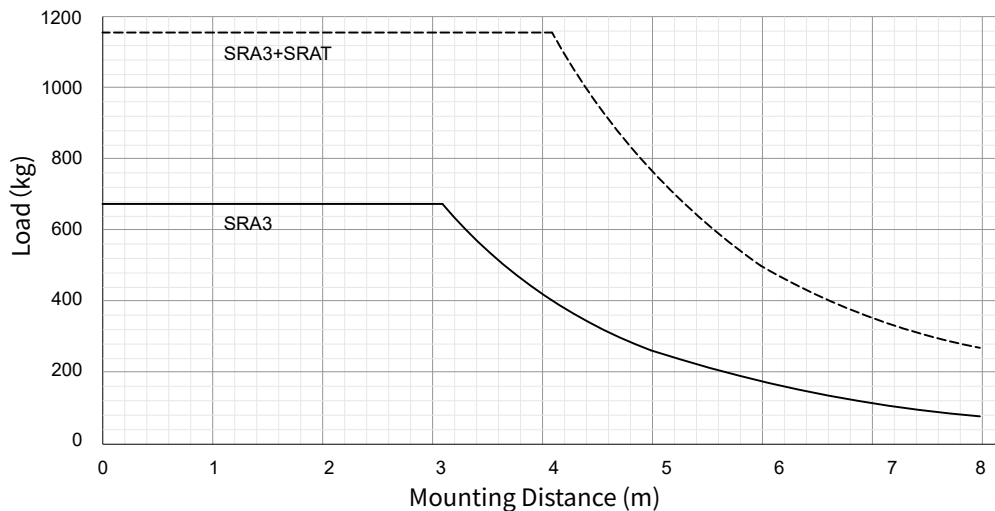
SRA3 Aluminum Rail Profile



SRA3 Specs	
Feature	Description
Material	6063-T66 Aluminum, anodized
Weight	8.7 kg/m
Moment of plane area (Iy/Iz)	1269 cm ⁴ / 448 cm ⁴
Moment of resistance (Wy/Wz)	141 cm ³ / 90 cm ³

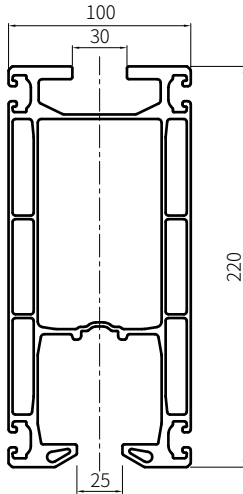
SRA3 Profile	
Model	Length
40750-1000-2	1000 mm
40750-2000-2	2000 mm
40750-3000-2	3000 mm
40750-4000-2	4000 mm
40750-5000-2	5000 mm
40750-6000-2	6000 mm
40750-7000-2	7000 mm
40750-8000-2	8000 mm

SRA3 Load Chart



SRA4 Aluminum Rail Profile

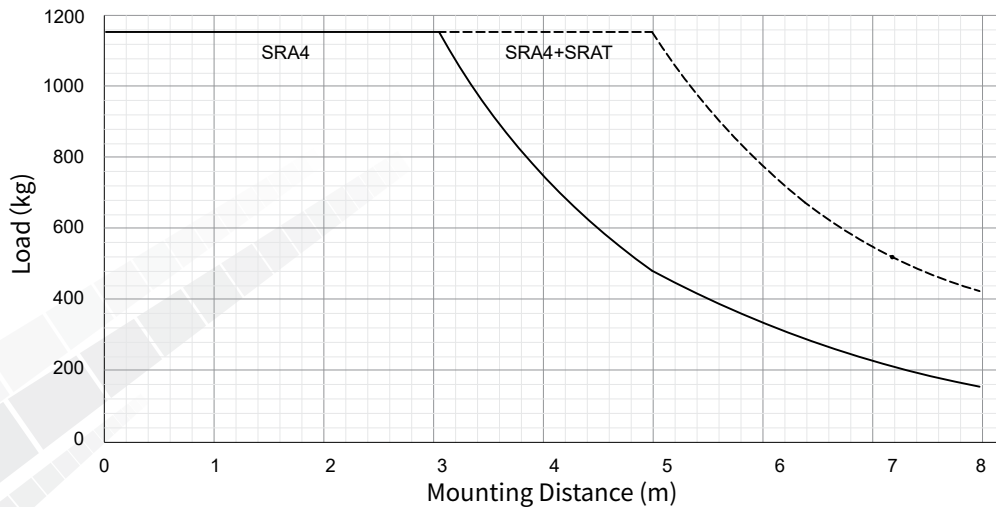
Max. **1200** kg



SRA4 Specs	
Feature	Description
Material	6063-T66 Aluminum, anodized
Weight	10.2 kg/m
Moment of plane area (Iy/Iz)	2254 cm ⁴ / 533 cm ⁴
Moment of resistance (Wy/Wz)	197 cm ³ / 107 cm ³

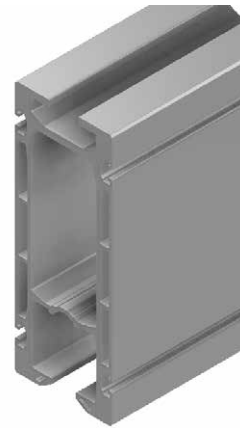
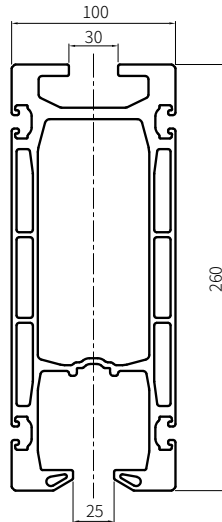
SRA4 Profile	
Model	Length
41200-1000-2	1000 mm
41200-2000-2	2000 mm
41200-3000-2	3000 mm
41200-4000-2	4000 mm
41200-5000-2	5000 mm
41200-6000-2	6000 mm
41200-7000-2	7000 mm
41200-8000-2	8000 mm

SRA4 Load Chart



SRA5 Aluminum Rail Profile

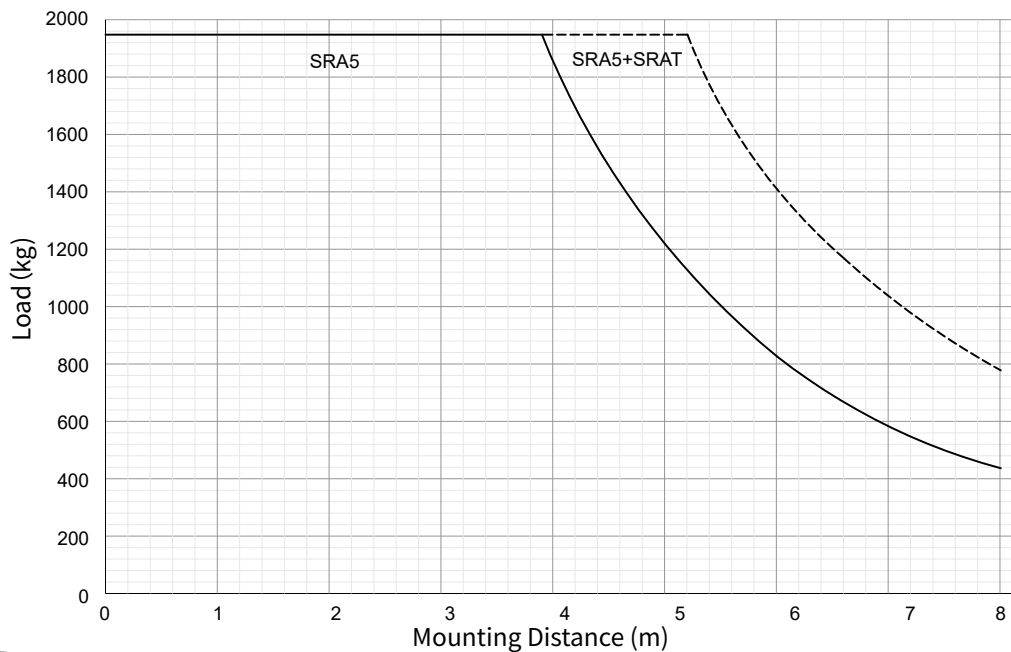
Max. **2000** kg



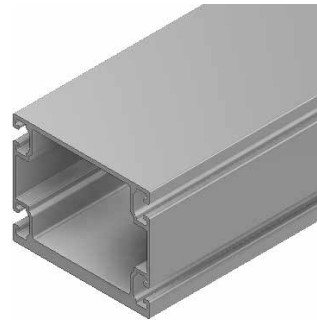
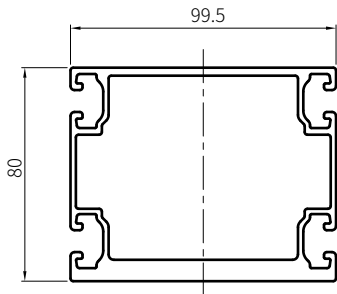
SRA5 Specs	
Feature	Description
Material	6063-T66 Aluminum, anodized
Weight	16.8 kg/m
Moment of plane area (Iy/Iz)	5130 cm ⁴ / 912 cm ⁴
Moment of resistance (Wy/Wz)	413 cm ³ / 182 cm ³

SRA5 Profile	
Model	Length
42000-1000-2	1000 mm
42000-2000-2	2000 mm
42000-3000-2	3000 mm
42000-4000-2	4000 mm
42000-5000-2	5000 mm
42000-6000-2	6000 mm
42000-7000-2	7000 mm
42000-8000-2	8000 mm

SRA5 Load Chart

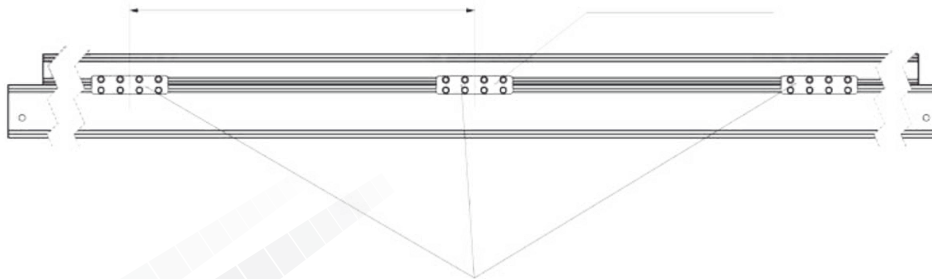


SRAT Reinforcement Rail Profile



SRAT Specs	
Feature	Description
Material	6063-T66 Aluminum, anodized
Weight	4 kg/m
SRA2+SRAT Moment of plane area (ly/lz)	2148 cm ⁴ / 512 cm ⁴
SRA3+SRAT Moment of plane area (ly/lz)	3436 cm ⁴ / 614 cm ⁴
SRA4+SRAT Moment of plane area (ly/lz)	5212 cm ⁴ / 698 cm ⁴
SRA5+SRAT Moment of plane area (ly/lz)	9338 cm ⁴ / 1026 cm ⁴

SRAT Profile	
Model	Length
40000-1000-T	1000 mm
40000-2000-T	2000 mm
40000-3000-T	3000 mm
40000-4000-T	4000 mm
40000-5000-T	5000 mm
40000-6000-T	6000 mm
40000-7000-T	7000 mm
40000-8000-T	8000 mm

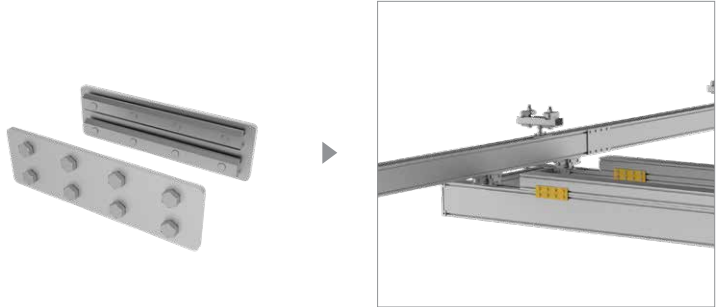


The reinforcement connectors are at the end or in the center of the reinforcement profile, and the distance between two connectors is not more than 1500mm.

System Components

Reinforcement Connectors

Reinforcement connectors are used to connect SRA2-SRA5 aluminum rail profiles with SRAT reinforcement rail profile. The connectors are at the end or in the center of the reinforcement profile, and the distance between two connectors is not more than 1500mm.



Reinforcement Connector Specs			
Model	Description	Dimension	Weight
40712A	Reinforcement Connector SRA2-SRA4	55x200 mm	1.30 kg
40712B	Reinforcement Connector SRA5	75x200 mm	1.52 kg

Aluminum Trolleys

Aluminum trolleys adopt unique counter-pressure roller design, which can carry loads in downward and upward directions and has good anti-eccentricity ability to ensure precise positioning of lifting equipment. High-strength wear-resistance plastic travel wheels provide quiet and smooth running with minimum rolling resistance. The trolleys are equipped with rubber bumpers at both sides to prolong the service life of the track and trolleys. Single aluminum trolleys are rated for loads up to 600kg, and two aluminum trolleys connected in tandem are rated for loads up to 1200kg.

Aluminum Trolley Specs			
Model	Description	Rated Load	Weight
40426A	Hinge Trolley	600 kg	1.75 kg
40426B	Hoist Trolley	600 kg	1.94 kg

Tandem Aluminum Trolley Specs			
Model	Description	Rated Load	Weight
40430A	Tandem Hinge Trolley	1200 kg	4.63 kg
40430B	Tandem Hoist Trolley	1200 kg	4.88 kg



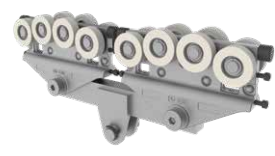
40426A



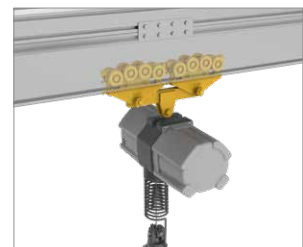
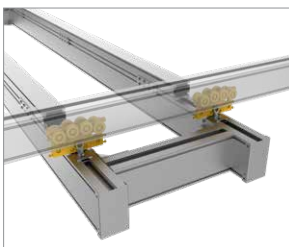
40426B



40430A



40430B

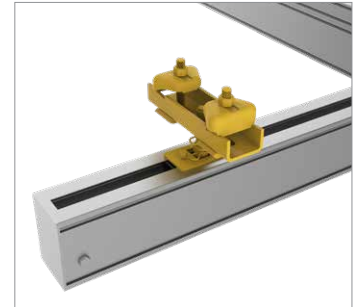


Mountings

Mountings used to connect the rail profile to the steel structure above are the safe load bearing part of the rail systems. One single mounting can be rated for loads up to 2000kg and are used together with the safety device to ensure the rail system safer and more reliable.

Pendular Mountings

- Articulated joint mountings with high flexibility to accommodate downward forces
- Commonly used with non-eccentric equipment such as hoists, balancers, spring balancers, etc.
- Available in two sizes to cover the flange width from 50mm to 250mm
- Provide 20mm height adjustment to level the height difference of the steel structure

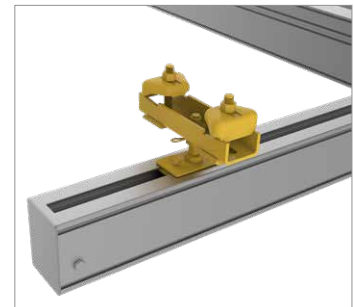
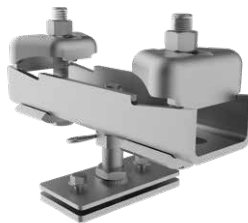


Pendular Mounting Specs

Model	Description	Rated Load	Width Adjustment	Height Adjustment	Weight
40365F-150	Pendular Mounting 50-150	2000 kg	50-150 mm	90-110 mm	4.0 kg
40365F-250	Pendular Mounting 150-250	2000 kg	150-250 mm	230-250 mm	4.5 kg

Rigid Mountings

- Rigid joint mountings to accommodate bias forces and a certain amount of upward forces
- Commonly used with manipulators, reaction arms, rigid mast arms, telescopic rails, etc.
- Available in two sizes to cover the flange width from 50mm to 250mm
- Provide 20mm height adjustment to level the height difference of the steel structure



Rigid Mounting Specs

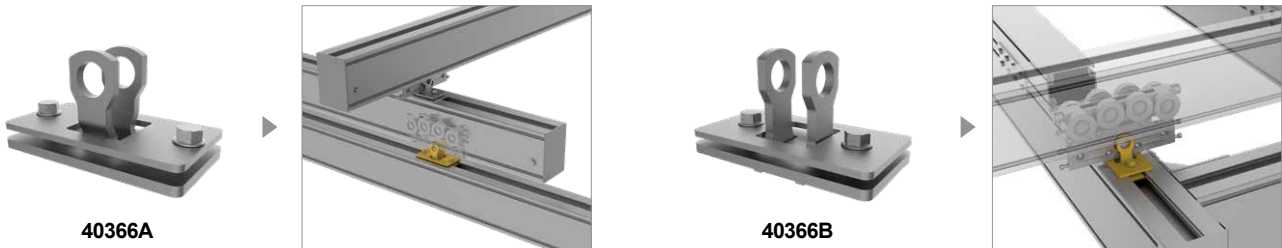
Model	Description	Rated Load	Width Adjustment	Height Adjustment	Weight
40365R-150	Rigid Mounting 50-150	2000 kg	50-150 mm	90-110 mm	3.8 kg
40365R-250	Rigid Mounting 150-250	2000 kg	150-250 mm	230-250 mm	4.3 kg

Crane Girder Mountings

Crane girder mountings are used with aluminum trolleys to connect the crane girders and to the crane runways. The precise integration of all components ensures the rail systems running quietly and smoothly. Crane girder mountings are rated for loads up to 600kg downward or upward and are divided into the 90° variant and the 0° variant. Normal crane girders are fitted using the 90° variant and telescopic girders are fitted using the 0° variant to meet the different ways of rail configurations.

Crane Girder Mounting Specs

Model	Description	Rated Load	Weight
40366A	Crane Girder Mounting 0°	600 kg	0.6 kg
40366B	Crane Girder Mounting 90°	600 kg	0.6 kg

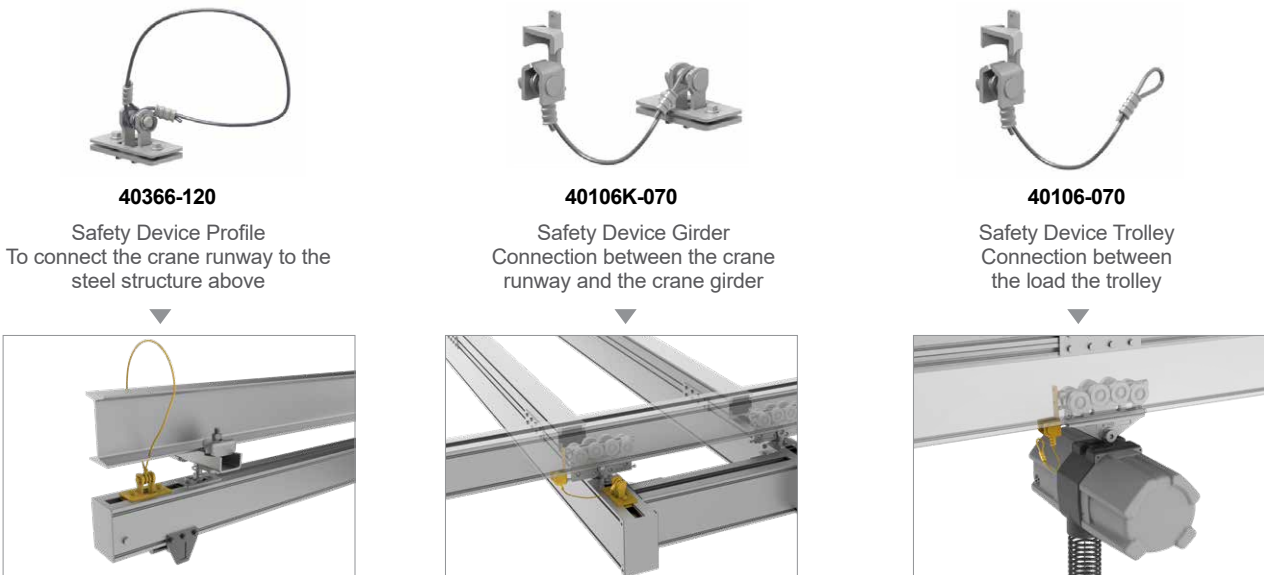


Safety Devices

Three types of safety devices are available according to the connection characteristics of the rail systems. We recommend the use of safety devices at all mounting points as an additional safety measure.

Safety Device Specs

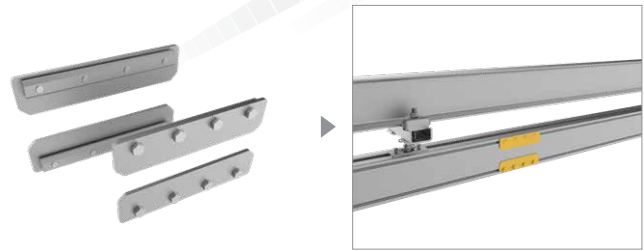
Model	Description	Weight
40366-120	Safety Device Profile	1.0 kg
40106K-070	Safety Device Girder	1.5 kg
40106-070	Safety Device Trolley	1.0 kg



Joint set

Joint set are fastened in the grooves on the sides of the rail profiles and thus allow the construction of crane runways of any length. Compact and easy installation for seamless track alignment.

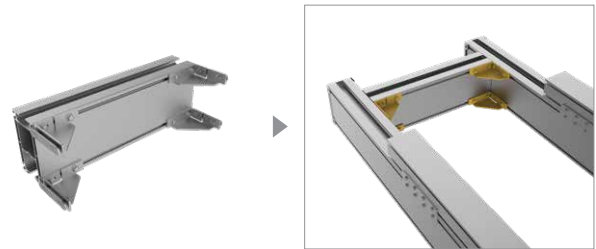
Joint Set Specs	
Model	Description
40712C	SRA1-SRA5 Joint set



Spacer

Spacers are used to connect two parallel rail profiles to form a stable quadrilateral structure for double-girder cranes.

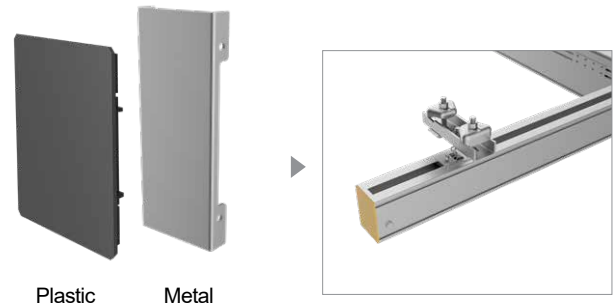
Spacer Specs		
Model	Description	Gauge
40208	Spacer	300-2000 mm



End Cover

All rail profiles must be fitted with end covers to prevent the ingress of dirt.

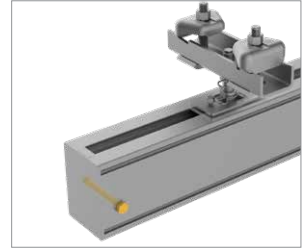
End Cover Specs		
Model	Description	Material
40202-105	SRA1 End Cover	Plastic
40202-140	SRA2 End Cover	Plastic
40202-180	SRA3 End Cover	Plastic
40202-220	SRA4 End Cover	Metal
40202-260	SRA5 End Cover	Metal



End Stop Fixed

Fixed end stops must be mounted to rail profile ends to prevent the trolley from falling out of the track. Drilling holes on rail profile ends is required for fixed end stops.

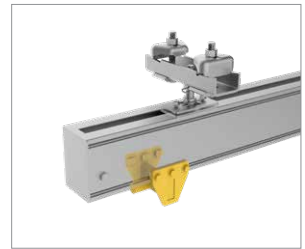
End Stop Fixed	
Model	Description
40120	End Stop Fixed



End Stop Buffered

Buffered end stops can be mounted to rail profile ends to reduce the shock of the trolley on the end, and can also be mounted to each position of rail profiles to stop the trolley at any position on the track.

End Stop Buffered	
Model	Description
40050	End Stop Buffered



Power Supply

Cable Trolley Flat Cable	
Model	Description
40690A	Cable Trolley Flat Cable



40690A

End Fix Flat Cable	
Model	Description
40690B	End Fix Flat Cable



40690B

Towing Arm Flat Cable	
Model	Description
40690C	Towing Arm Flat Cable



40690C

Installation Type

Monorail Runway



Double-Rail Runway



Single-Girder Crane



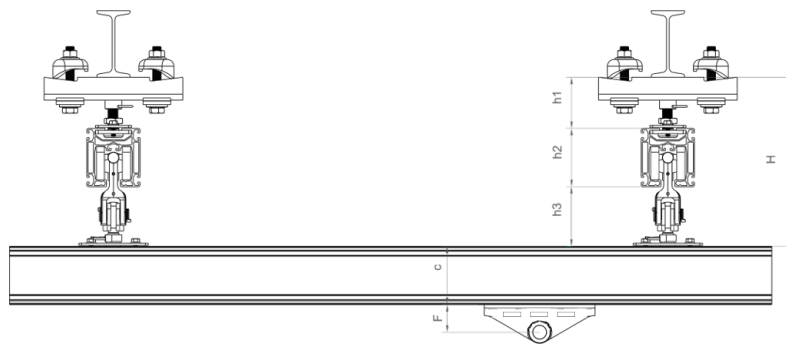
Double-Girder Crane



Telescopic-Girder Crane



Installation Dimension



Installation Dimension							
Model	h1min/ h1max(mm)	h2 (mm)	h3 (mm)	H _{min} (mm)	H _{max} (mm)	F	C
SRA1	92-112	70	65	210	240	21.5	21.5
SRA2	92-112	105	84	281	301	20.0	105
SRA3	92-112	140	84	316	336	19.5	140
SRA4	92-112	180	84	356	376	19.5	180
SRA5	92-112	220	84	396	416	19.5	220
SRA6	92-112	260	84	436	456	19.5	260



Ingersoll Rand Inc. (NYSE:IR), driven by an entrepreneurial spirit and ownership mindset, is dedicated to helping make life better for our employees, customers and communities. Customers lean on us for our technology-driven excellence in mission-critical flow creation and industrial solutions across 50+ respected brands where our products and services excel in the most complex and harsh conditions. Our portfolio of products consists of air compressors, pumps, blowers, and systems for fluid management, loading and material handling as well as power tools. With over 18,000 employees globally, our team develops customers for life through their daily commitment to expertise, productivity and efficiency. For more information, visit www.IRCO.com.