



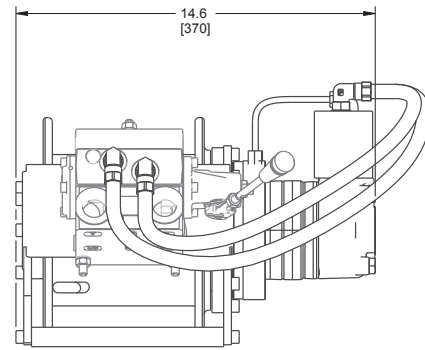
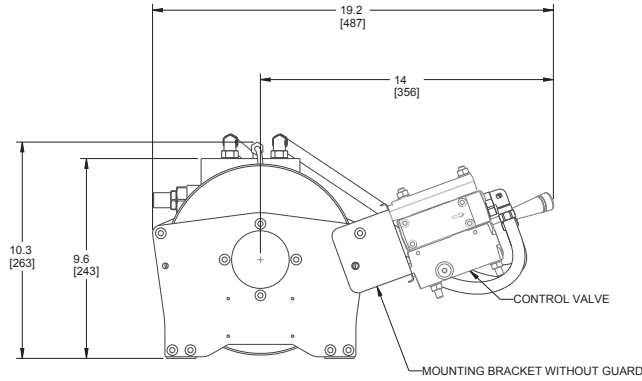
HF3 Hydraulic Force Series™ Utility Winch Specifications

Specification/Feature	HF3 Utility Winch
Motor Type	Orbital Motor
Gearing	Single-State Planetary Gearbox
Gear Ratio	5.23:1
First Layer Lifting Capacity (lbs)	3,000 lbs
Top Layer Lifting Capacity (lbs)	2,320 lbs
First Layer Line Speed (fpm)	140 fpm @ 15 GPM
Top Layer Line Speed (fpm)	180 fpm @ 15 GPM
Rope Storage Capacity (ft)	82 ft (3/8" wire rope)
Working Rope Capacity (ft)	52 ft (3/8" wire rope)
Operating Pressure (psi)	2250 psi (max)
Flow Rate (gpm)	15 gpm (max)
Shipping Weight (lbs)	100 lbs*
Drum Length (in)	5.79"
Brakes	Disc + counterbalance valve
Throttle Type	Manual proportional
Min Design Temperature	-10°C (14°F)
D/d Ratio	17:1 (3/8" wire rope)
Cable Anchor Design	Drum Wedge
Control Options	Local Lever Standard Option for Remote Lever
Drum Guard	Option
Cable Tensioner (Press Roller)	Option
Other Features of Note	Electric over hydraulic control valve configured for wireless controller

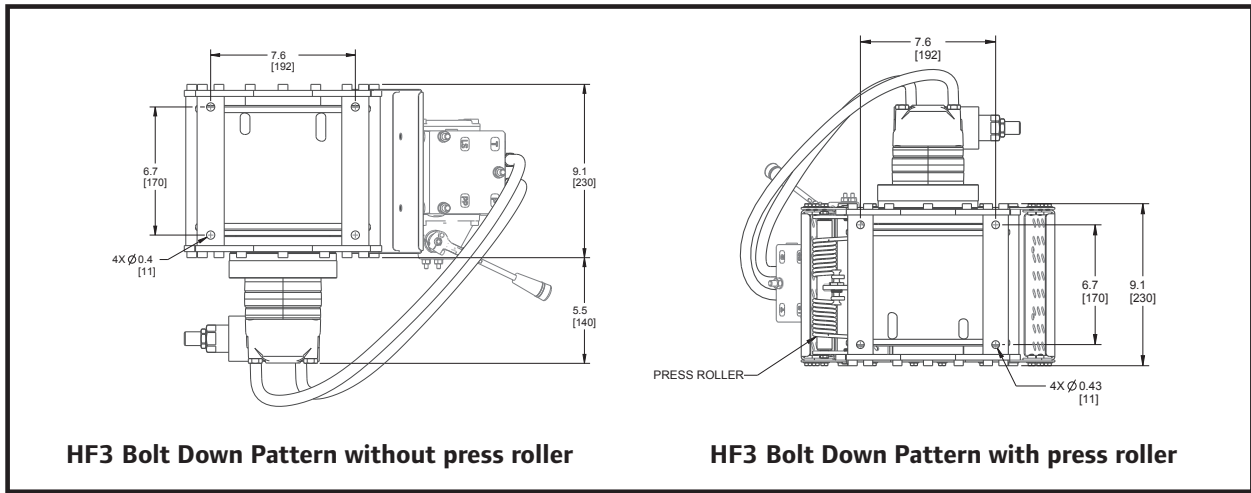
*Weight will vary depending on final configuration

HF3 Hydraulic Force Series™ Utility Winch Dimensions

HF3 Dimensions with Local Controls



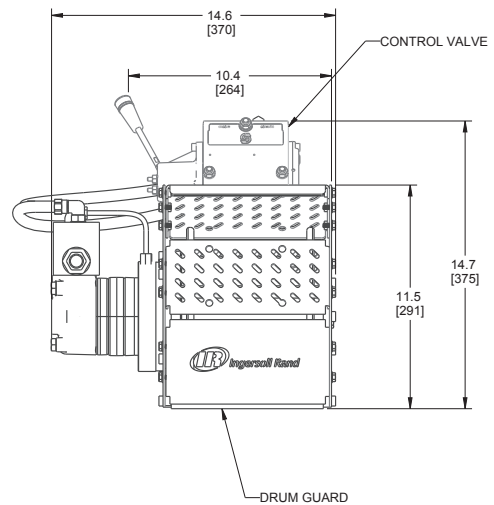
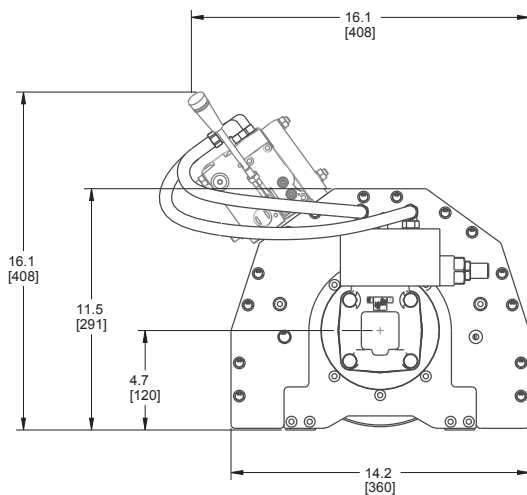
Mounting Controls without guard



HF3 Bolt Down Pattern without press roller

HF3 Bolt Down Pattern with press roller

HF3 Dimensions with Local Controls & Accessories



ingersollrandproducts.com

Ingersoll Rand (NYSE:IR) advances the quality of life by creating comfortable, sustainable and efficient environments. Our people and our family of brands—including Club Car®, Ingersoll Rand®, Thermo King® and Trane®—work together to enhance the quality and comfort of air in homes and buildings; transport and protect food and perishables; and increase industrial productivity and efficiency. We are a \$14 billion global business committed to a world of sustainable progress and enduring results. For more information, visit ingersollrandproducts.com/hydraulicforce.