



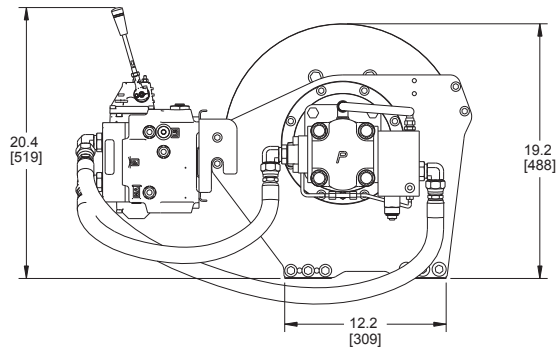
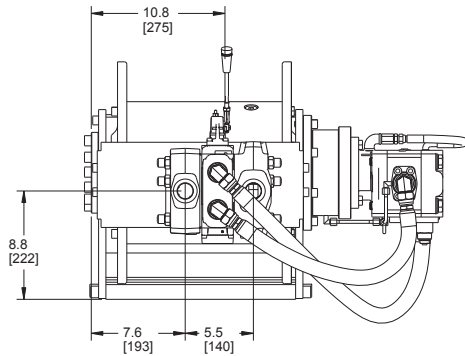
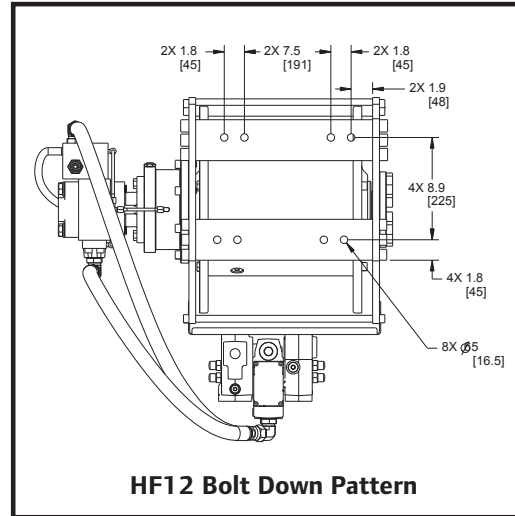
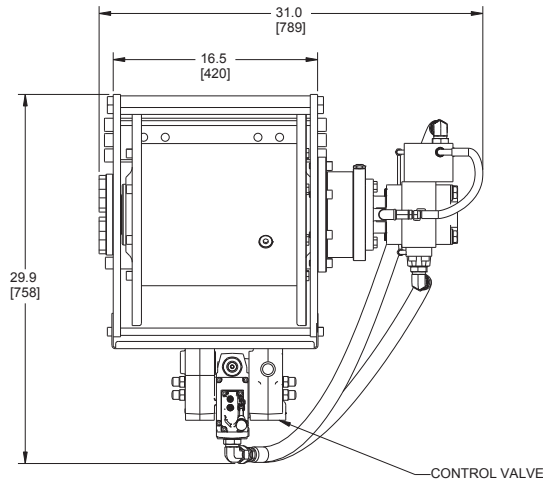
# HF12 Hydraulic Force Series™ Utility Winch Specifications

Specification/Feature	HF12 Utility Winch
<b>Motor Type</b>	Hydraulic Gear
<b>Gearing</b>	Multi-Stage Planetary Gearbox
<b>Gear Ratio</b>	64:1
<b>First Layer Lifting Capacity (lbs)</b>	12,000 lbs
<b>Top Layer Lifting Capacity (lbs)</b>	8,720 lbs
<b>First Layer Line Speed (fpm)</b>	165 fpm @ 65 GPM
<b>Top Layer Line Speed (fpm)</b>	242 fpm @ 65 GPM
<b>Rope Storage Capacity (ft)</b>	508 ft (9/16" wire rope)
<b>Working Rope Capacity (ft)</b>	407 ft (9/16" wire rope)
<b>Operating Pressure (psi)</b>	2500 psi (max)
<b>Flow Rate (gpm)</b>	65 gpm (max)
<b>Shipping Weight (lbs)</b>	600 lbs*
<b>Drum Length (in)</b>	12.89"
<b>Brakes</b>	Disc + counterbalance valve
<b>Throttle Type</b>	Manual proportional
<b>Min Design Temperature</b>	-10°C (14°F)
<b>D/d Ratio</b>	21:1 (9/16" wire rope)
<b>Cable Anchor Design</b>	Side Pocket
<b>Control Options</b>	Local Lever Standard Option for Remote Lever
<b>Drum Guard</b>	Option
<b>Cable Tensioner (Press Roller)</b>	Option
<b>Pedestal Base (Vertical Takeoff Only)</b>	Option Coming Soon
<b>Manual Rope Guide</b>	Option
<b>Other Features of Note</b>	Electric over hydraulic control valve configured for wireless controller

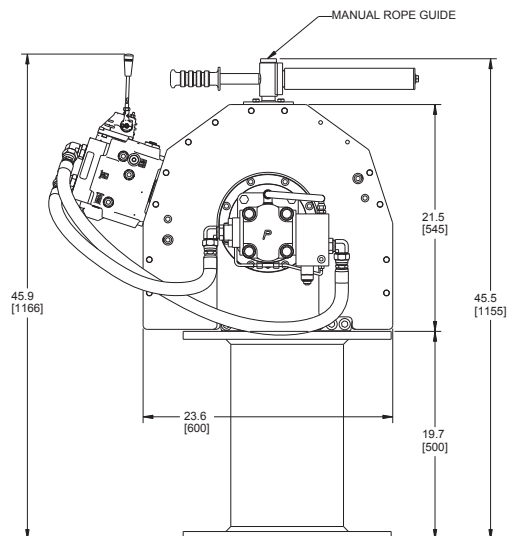
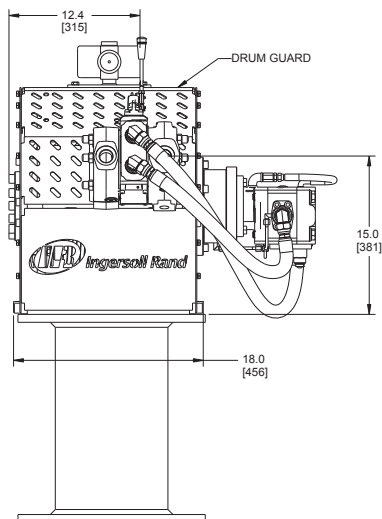
\*Weight of the winch with local controls only

# HF12 Hydraulic Force Series™ Utility Winch Dimensions

## HF12 Dimensions with Local Controls



## HF12 Dimensions with Local Controls & Accessories



[ingersollrandproducts.com](http://ingersollrandproducts.com)

Ingersoll Rand (NYSE:IR) advances the quality of life by creating comfortable, sustainable and efficient environments. Our people and our family of brands—including Club Car®, Ingersoll Rand®, Thermo King® and Trane®—work together to enhance the quality and comfort of air in homes and buildings; transport and protect food and perishables; and increase industrial productivity and efficiency. We are a \$14 billion global business committed to a world of sustainable progress and enduring results. For more information, visit [ingersollrandproducts.com/hydraulicforce](http://ingersollrandproducts.com/hydraulicforce).